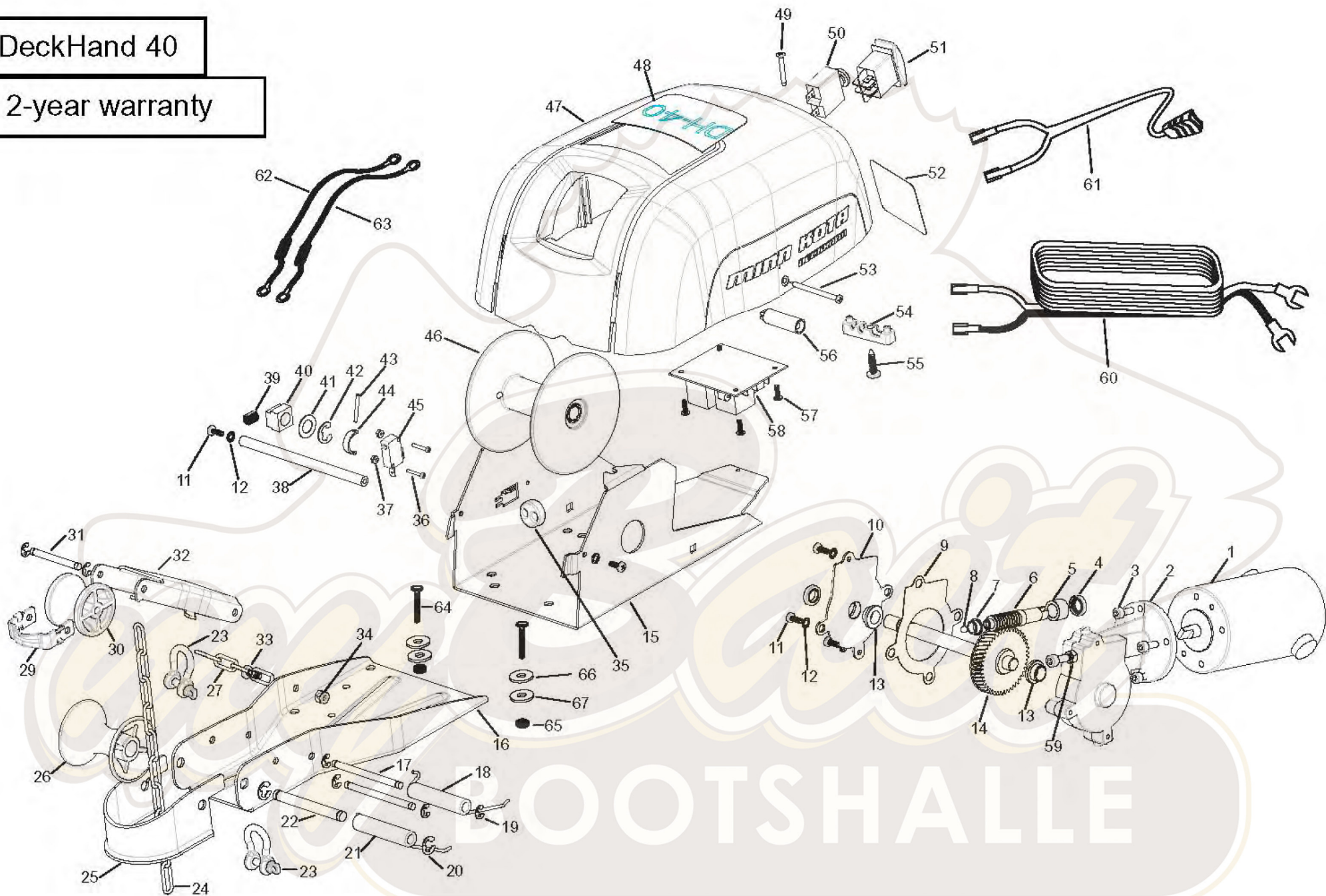


DeckHand 40

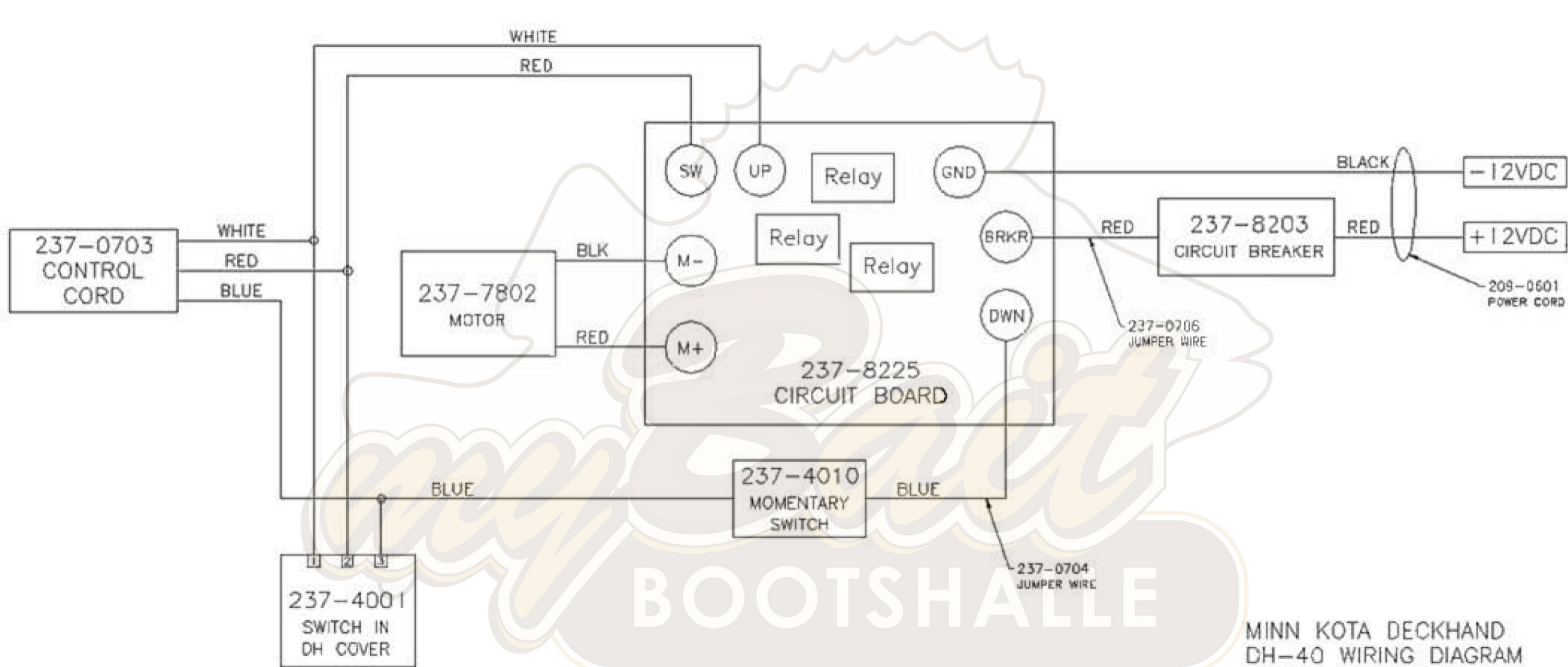
2-year warranty



Item	Part	Description
------	------	-------------

■	2997816	MOTOR/GEAR ASSEMBLY (Includes items 1-10,13,14)	
*1	2377802	MOTOR	
*2	2376502	GEAR BOX	
3	2373448	SCREW M6X1.0 X16mm [5 EA.]	
4	880-026	SEAL [2 EA.]	
5	2370041	BRONZE BUSHING	
*6	2372238	WORM GEAR	
7	2377300	BRONZE BUSHING 3/8" SHAFT	
*8	2376000	BALL-THRUST	
9	2376915	GASKET	
10	2376515	GEAR BOX COVER	
11	2223455	SCREW #10-32 X 1/2" [6 EA.]	
12	2261718	WASHER-#10 EXT. LW [6 EA.]	
13	2227304	BRONZE BUSHING 1/2" SHAFT [2 EA.]	
*14	2372254	GEAR SHAFT	
15	2371901	BASE	
■	2998410	DAVIT ASSEMBLY (Includes items 16-22, 25-34)	
*16	2376505	DAVIT CHASSIS	
17	2372607	HINGE PIN [2 EA.]	
18	2372712	TORSION SPRING	
19	2013000	E-RING [6 EA.]	
20	2263010	E-RING [2 EA.]	
21	2372713	TORSION SPRING	
22	2372606	AXLE PIN	
23	2370806	SHACKLE [2 EA.]	
24	2370820	CHAIN	
25	2371613	LOWER LINE GUIDE	
26	2372311	ROLLER-LARGE	
27	2370801	SAFETY LANYARD	
29	2371614	UPPER LINE GUIDE	
30	2372306	ROLLER-SMALL	
31	2372601	AXLE PIN	
32	2374210	LIFTING ARM	
33	2373402	SCREW-1/4-20X5/8"	
34	2263103	NUT- 1/4" NYLOC	
35	2373200	ROPE STOP	
36	2372130	SCREW-#4-40 X 3/4" [2 EA.]	
37	2373100	NUT-#4-40 KEPS [2 EA.]	
38	2371612	LINE GUIDE	
39	2372700	COIL SPRING	
40	2370001	SPOOL BEARING	
41	990-051	WASHER	
42	788-040	E-RING	
43	2092601	DRIVE PIN	
44	2372630	PIN KEEPER	
45	2374010	SWITCH	
46	2377901	SPOOL W/ROPE	
47	2370202	COVER	
48	2375505	DECAL-TOP COVER	
49	2372123	SCREW-#8-32 X 1.25"	
50	2378203	CIRCUIT BREAKER	
51	2374001	SWITCH	
52	2375504	DECAL- MFR. NOTICE	
53	2372122	SCREW-#10-16 X 2 1/2" [2 EA.]	
54	2222905	STRAIN RELIEF	
55	2373446	SCREW- 1/4-20 X 1" [2 EA.]	
56	2372920	STANDOFF [2 EA.]	
57	2372100	SCREW- #8-10 X 5/8"[4 EA.]	
58	2378225	CIRCUIT BOARD ASSEMBLY	
	59	2373105	HEX NUT M6X1.0
	60	2090601	LEADWIRE
	61	2370703	CONTROL CORD
	62	2370704	JUMPER WIRE #20GA BLUE
	63	2370706	JUMPER WIRE #10GA RED
	■	2994853	BAG ASSEMBLY
	64	2153501	5/16" -18 BOLT [8 EA.]
	65	2153100	NUT- 5/16-18" [8 EA.]
	66	2301720	WASHER RUBBER [8 EA.]
	67	2151726	WASHER 5/16" [8 EA.]

* This item is part of an assembly. This item cannot be sold separately due to machining and /or assembly that is required.



MINN KOTA DECKHAND
DH-40 WIRING DIAGRAM