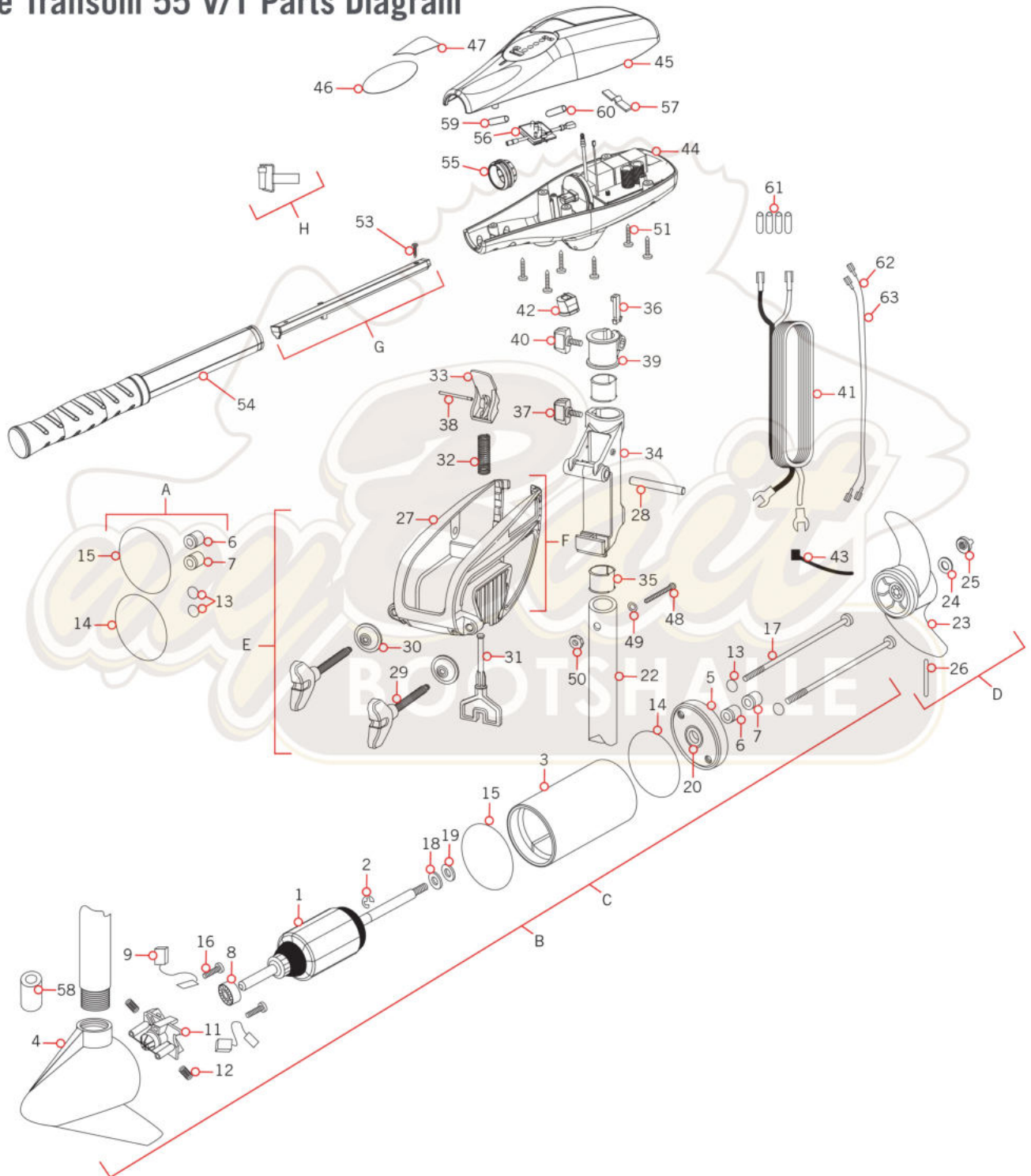


# PARTS DIAGRAM & PARTS LIST

## RIPTIDE TRANSOM 55 V/T - 55 LBS THRUST - 12 VOLT - 36"/42" SHAFT

This page provides Minn Kota® WEEE compliance disassembly instructions. For more information about where you should dispose of your waste equipment for recycling and recovery and/or your European Union member state requirements, please contact your dealer or distributor from which your product was purchased. Tools required, but not limited to: flat head screw driver, Phillips screw driver, socket set, pliers, wire cutters.

### › Riptide Transom 55 V/T Parts Diagram



# PARTS DIAGRAM & PARTS LIST

## › Riptide Transom 55 V/T Parts List

| Assembly | Part #    | Description                      | Quantity |
|----------|-----------|----------------------------------|----------|
| A        | 2888460   | SEAL AND O-RING KIT              | 1        |
| B        | 2097078   | MOTOR ASSEMBLY 12 V 3.62 SW 36"  | 1        |
| C        | 2097093   | MOTOR ASSEMBLY 12 V 3.62 SW 42"  | 1        |
| D        | 1378170   | PROPELLER KIT                    | 1        |
| E        | 2771816   | BRACKET & HINGE ASSEMBLY         | 1        |
| F        | 2771913   | BRACKET ASSEMBLY                 | 1        |
| G        | 2990924   | INNER HANDLE ASSEMBLY            | 1        |
| H        | 2882726   | BALL DETENT, RTNR SPRING ASM KIT | 1        |
| Item     | Part #    | Description                      | Quantity |
| 1        | 2-100-117 | ARMATURE ASSEMBLY 12V 3.62       | 1        |
| 2        | 788-015   | RETAINING RING                   | 1        |
| 3        | 2-200-301 | HOUSING ASSEMBLY CENTER 3.62 SW  | 1        |
| 4        | 421-336   | BRUSH END HOUSING ASSEMBLY 3.62  | 1        |
| 5        | 2-400-337 | PLAIN END HOUSING ASSEMBLY 3.62  | 1        |
| 6        | 880-003   | SEAL                             | 1        |
| 7        | 880-006   | SEAL W/SHIELD                    | 1        |
| 8        | 140-010   | BALL BEARING                     | 1        |
| 9        | 188-036   | BRUSH ASSEMBLY                   | 2        |
| 11       | 738-036   | BRUSH PLATE W/HOLDER 3.62        | 1        |
| 12       | 975-040   | TORSION SPRING                   | 2        |
| 13       | 701-008   | O-RING — THRU BOLT               | 2        |
| 14       | 701-081   | O-RING                           | 1        |
| 15       | 337-036   | GASKET                           | 1        |
| 16       | 830-007   | SCREW — SELF THREAD #8-32        | 2        |
| 17       | 830-042   | THRU BOLT #10-32 X 8.83          | 2        |
| 18       | 990-067   | WASHER — STEEL THRUST            | 1        |
| 19       | 990-070   | WASHER — NYLATRON                | 1        |
| 20       | 144-049   | FLANGE BEARING (SERVICE ONLY)    | 1        |
| 22       | 2002021   | 36" COMPOSITE TUBE               | 1        |
|          | 2002022   | 42" COMPOSITE TUBE               | 1        |
| 23       | 2091170   | PROPELLER 3.62 HUB DIA           | 1        |
| 24       | 2151726   | WASHER — 5/16 STD SS             | 1        |
| 25       | 2198400   | ZINC ANODE                       | 1        |
| 26       | 2092600   | DRIVE PIN                        | 1        |
| 27       | ✘         | BRACKET                          | 1        |
| 28       | 2060511   | HINGE PIN                        | 1        |
| 29       | ✘         | SCREW — CLAMP                    | 2        |

| Item | Part #  | Description                      | Quantity |
|------|---------|----------------------------------|----------|
| 30   | ✘       | WASHER — CLAMP SCREW             | 2        |
| 31   | 2063605 | PLASTIC T-BAR                    | 1        |
| 32   | 2062706 | T-BAR SPRING                     | 1        |
| 33   | 2067201 | TILT BLACK LEVER                 | 1        |
| 34   | 2061810 | PLASTIC HINGE                    | 1        |
| 35   | 2037301 | HINGE BUSHING                    | 2        |
| 36   | 2062800 | SNAP-IN TENSION BLOCK            | 1        |
| 37   | 2011386 | SCREW — TENSION/KNOB             | 1        |
| 38   | 2060516 | TILT LEVER PIN                   | 1        |
| 39   | 2061520 | DEPTH COLLAR                     | 1        |
| 40   | 2011366 | SCREW — COLLAR/NEW KNOB          | 1        |
| 41   | 2050609 | LEADWIRE                         | 1        |
| 42   | 2062905 | STRAIN RELIEF                    | 1        |
| 43   | 2376312 | TIE WRAP                         | 1        |
| 44   | 2994041 | CONTROL BOX WHITE                | 1        |
| 45   | 2060228 | CONTROL BOX COVER WHITE          | 1        |
| 46   | 2095645 | DECAL COVER RIPTIDE 55 VS/T      | 1        |
| 47   | 2095646 | COVER DECAL, RT/VS/T             | 1        |
| 48   | 2033403 | SCREW-10-24 X 1-3/4, SS          | 1        |
| 49   | 2061720 | WASHER-NYLON, 3/8 OD, 3/16 ID    | 1        |
| 50   | 2333101 | NUT-10-24 HEX, SS                | 1        |
| 51   | 2372100 | SCREW-8-18 X 5/8, SS             | 6        |
| 52   | 2990461 | OUTER HANDLE ASSEMBLY            | 1        |
| 53   | 2012104 | SCREW-#6 X 1/2" SS               | 1        |
| 55   | 2060009 | FRONT BEARING                    | 1        |
| 56   | 2074080 | BATTERY METER 12V                | 1        |
| 57   | 2302742 | SPRING DETENT, OFF               | 1        |
| 58   | 2307312 | FERRITE BEAD                     | 1        |
| 59   | 2305415 | SHRINK TUBE - .472 ID X 2.25"    | 1        |
| 60   | 2305410 | SHRINK TUBE - .315 OD X 2.25"    | 1        |
| 61   | 2305403 | SHRINK TUBE - .500 ID 1.0" ADHSV | 4        |
| 62   | 640-002 | BLACK LEADWIRE 52"               | 1        |
|      | 640-004 | LEADWIRE BLACK 56"               | 1        |
| 63   | 640-113 | RED LEADWIRE 54"                 | 1        |
|      | 640-105 | LEADWIRE RED 58"                 | 1        |

✘ This part is included in an assembly and cannot be ordered individually.

▲ Not shown on Parts Diagram.