

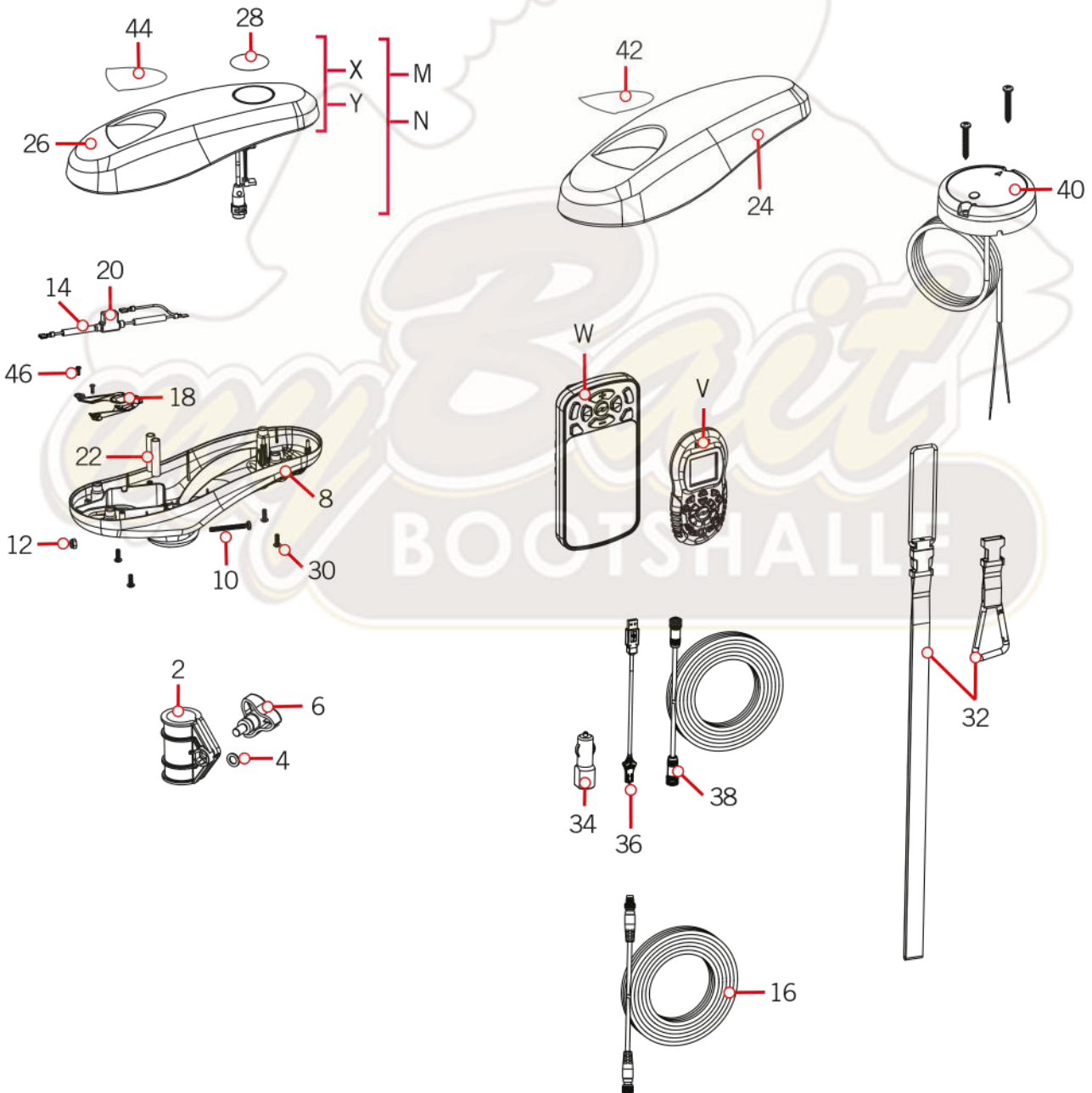
# PARTS DIAGRAM & PARTS LIST

## TERROVA - 55/80/112 LBS THRUST - 12/24/36 VOLT - 45"/54"/60"/72" SHAFT

The parts diagram and parts list provides Minn Kota® WEEE compliance disassembly instructions. For more information about where you should dispose of your waste equipment for recycling and recovery and/or your European Union member state requirements, please contact your dealer or distributor from which your product was purchased. Tools required, but not limited to: flat head screwdriver, Phillips screwdriver, socket set, pliers, wire cutters.

### TERROVA CONTROL HEAD

#### Control Head Parts Diagram



## Control Head Parts List

Assembly	Part #	Description	Quantity
M	2774176 ♦	MOTOR KIT, iPLT 1.6 TRV,UTX *I-PILOT RECEIVER*	1
N	2774177 ●	MOTOR KIT, iPLT 3.0 TRV,UTX *I-PILOT LINK RECEIVER*	1
V	2994075 ♦	REMOTE ASSY, IPILOT 1.6	1
W	2994076 ●	REMOTE ASSY, IPILOT LINK *I-PILOT LINK ONLY*	1
X	2770233 ♦	COVER KIT, IPLT 1.6 TRV, ULTREX *I-PILOT* *COVER & DECALS ONLY*	1
Y	2770234 ●	COVER KIT, IPLT 3.0 TRV, ULTREX *I-PILOT LINK* *COVER & DECALS ONLY*	1
Item	Part #	Description	Quantity
▲	✘	SEAL,BUNG LOWER	1
▲	✘	SEAL,BUNG UPPER,FW	1
2	2321505	DEPTH COLLAR, LIFT ASSIST	1
4	2321702	WASHER-FLAT .375 NYLON	1
6	2260905	KNOB-SOFT GRIP,HG/DR,ZNC	1
8	2292500	CONTROL BOX, ULTREX	1
10	2332102	SCREW-#10-24 X 1-3/4 PPH SS	1
12	2333101	NUT-HEX #10-24 UNC-2B NYL SS	1
14	2065400	WIRE INSULATOR-LGE 1-3/4, BLUE	2
16	2211415 +	CABLE-EXTENSION, 110" *US2*	1
	490507-1 ➔	CABLE, ADP-INT MDI 14 M12-120"	1
▲	2256300	TIE WRAP-5.5" BLACK	2
18	2224706	INSERT-PLUG	1
▲	9950433	TIE WRAP-4" BLACK	2
20	2218201	FUSE HOLDER ASSEMBLY	1
22	2375400	SHRINK TUBE-1/40D X 1-3/4	2
24	2290217	COVER,CTRL BOX	1
26	✘	CVR, CTRL BX IP	1
28	2395545 ♦	DECAL, DOMED, iPILOT FW	1
	2395547 ●	DECAL, DOMED, iPILOT LINK FW	1
30	2372100	SCREW-#8-18 X 5/8 THD (SS)	7
32	2390800 ♦●	LANYARD, REMOTE W/ CARABINER	1
34	2375901 ●	ADAPTER, USB DC POWER *LINK ONLY*	1
36	2373241 ●	CABLE, USB REMOTE CHARGER *LINK ONLY*	1
38	490389-1 ●	CABLE, ETHERNET, 30' * LINK ONLY*	1
40	2996400	HEADING SENSOR ASSEMBLY	1
▲	2397106 ♦	QUICK - QUICK REF, IPILOT 1.6	1
▲	2397107 ●	QUICK - QUICK REF, IPILOT 3.0	1

▲ Not shown on Parts Diagram.

✘ This part is included in an assembly and cannot be ordered individually.

♦ Only available with models factory installed with i-Pilot.

● Only available with models factory installed with i-Pilot Link.

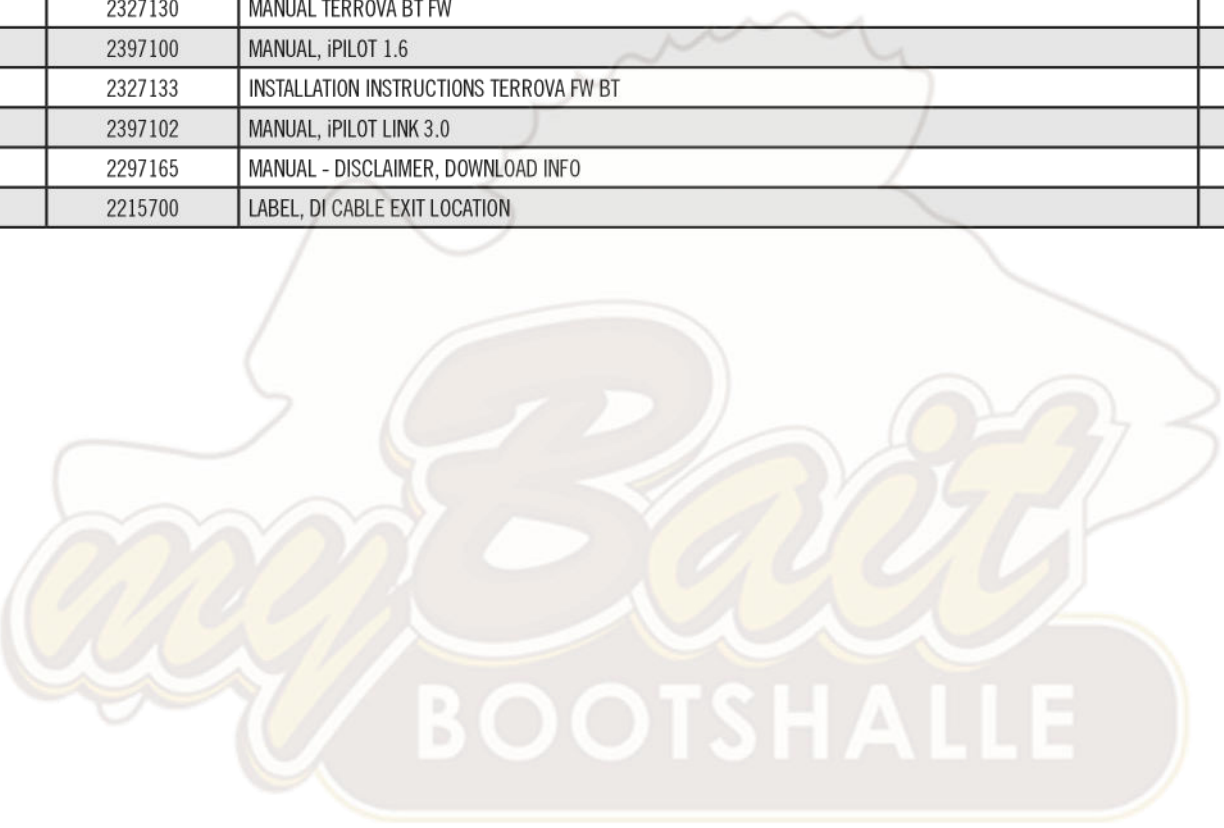
+ Only available with models factory installed with Universal Sonar.

➔ Only available with models factory installed with Built-in MEGA Down Imaging.

# PARTS DIAGRAM & PARTS LIST



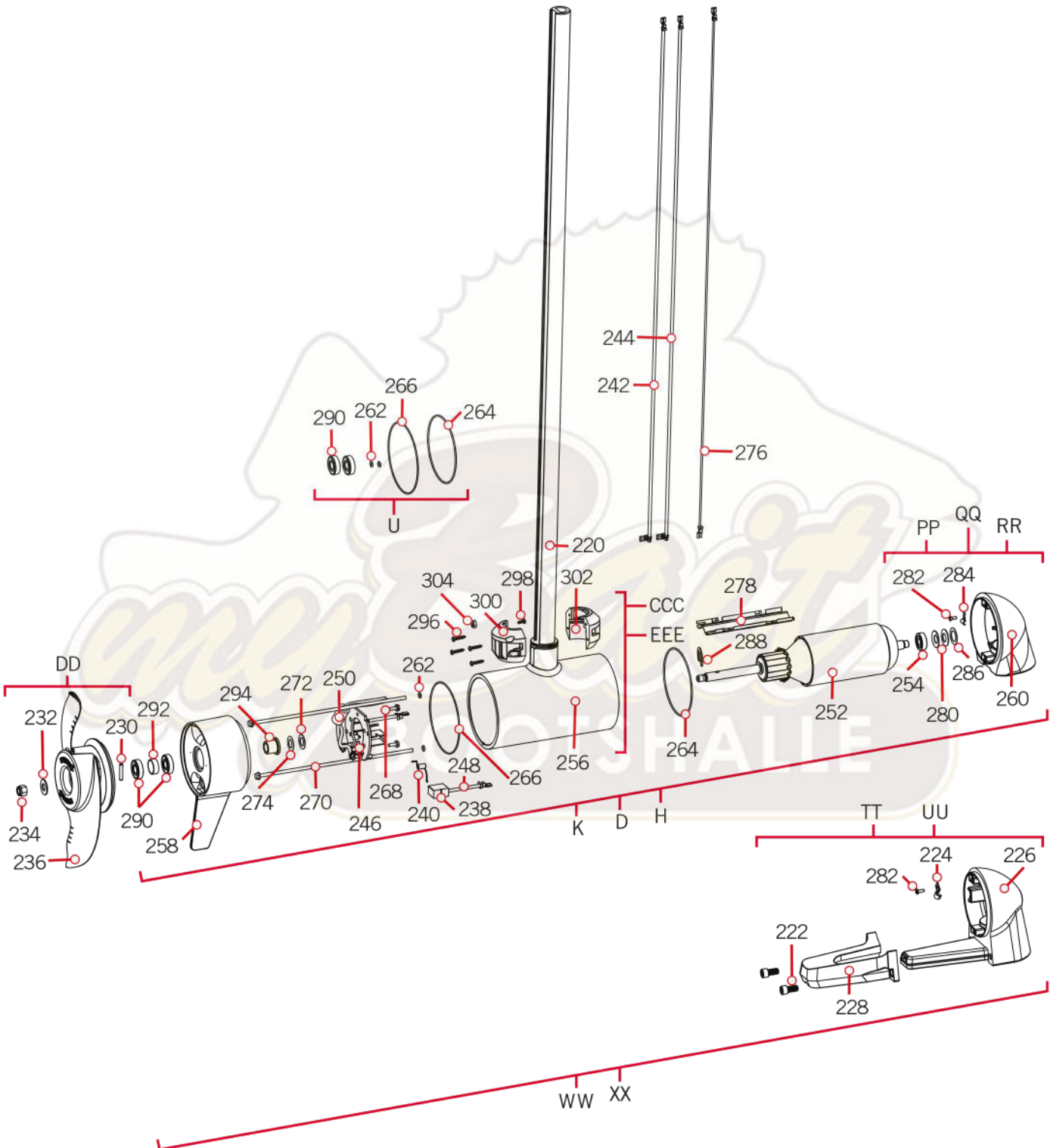
Item	Part #	Description	Quantity
42	2325631	DECAL, COVER, TERROVA 55 *55LB THRUST*	1
	2325632	DECAL, COVER, TERROVA 80 *80LB THRUST*	1
▲	2394900	INSTRUCTION HEADING SENSOR	1
44	2325634	DECAL, PUSH BTN TOP, TRV/iP 112	1
	2395554	DECAL, PUSH BTN TOP, T2/iP 80	1
	2395550	DECAL, PUSH BTN TOP, T2/iP 55	1
46	2372103	SCREW. #6 x 3/8 PLASTITE	2
▲	2327130	MANUAL TERROVA BT FW	1
▲	2397100	MANUAL, iPILOT 1.6	1
▲	2327133	INSTALLATION INSTRUCTIONS TERROVA FW BT	1
▲	2397102	MANUAL, iPILOT LINK 3.0	1
▲	2297165	MANUAL - DISCLAIMER, DOWNLOAD INFO	1
▲	2215700	LABEL, DI CABLE EXIT LOCATION	1



▲ Not shown on Parts Diagram.  
 ✖ This part is included in an assembly and cannot be ordered individually.  
 ◆ Only available with models factory installed with i-Pilot.  
 ● Only available with models factory installed with i-Pilot Link.  
 + Only available with models factory installed with Universal Sonar.  
 ➔ Only available with models factory installed with Built-in MEGA Down Imaging.

# PARTS DIAGRAM & PARTS LIST

## 36 Volt 4.5" Motor Parts Diagram



## 36 Volt 4.5" Motor Parts List

Assembly	Part #	Description	Quantity
D	2777090	MTR/TUBE 112# 54" TRV/US2 BT *54* *4.5* *UNIVERSAL SONAR*	1
H	2777078	MTR/TUBE 112# 60" TRV/US2 BT *60* *4.5* *UNIVERSAL SONAR*	1
K	2777079	MTR/TUBE 112# 72" TRV/US2 BT *72* *4.5* *UNIVERSAL SONAR*	1
CCC	2777241	CTR HSG, CB, 112#, FW, UP TO 60" *TUBE* *NON UNIVERSAL SONAR* *NON MDI*	1
EEE	2777242	CTR HSG, CB, 112#, FW, 72" TUBE *TUBE* *NON UNIVERSAL SONAR* *NON MDI*	1
DD	1378132	PROP IND 233160 WDL5 WDG II *4* *80LB THRUST*	1
U	2881450	SEAL & O-RING KIT *112LB THRUST* *4.5*	1
PP	9421-246	PLN END HSG/TRANDUCER ASY 4.5 *112LB THRUST* *60** *TRANSDUCER* *UNIVERSAL SONAR*	1
QQ	9421-245	PLN END HSG/TRANDUCER ASY 4.5 *112LB THRUST* *54** *TRANSDUCER* *UNIVERSAL SONAR*	1
RR	9421-247	PLN END HSG/TRANDUCER ASY 4.5 *112LB THRUST* *72** *TRANSDUCER* *UNIVERSAL SONAR*	1
TT	2773005	PLN END HSG/TRNDCR 4.5 MDI *112 LB THRUST* *72** *TRANSDUCER* *MDI*	1
UU	2773006	PLN END HSG/TRNDCR 4.5 MDI *112 LB THRUST* *60** *TRANSDUCER* *MDI*	1
XX	2777154	MTR/TUBE ASM 112#72"TRV/MDI BT *72** *MDI*	1
WW	2777152	MTR/TUBE ASM 112#60"TRV/MDI BT *60**	1
Item	Part #	Description	Quantity
220	✘	TUBE-CMP,BLK,45",1/4" WLL	1
	✘	TUBE-CMP,BLK,45",1/4",MDI	1
	✘	TUBE-CMP,BLK,60",1/4" WLL	1
	✘	TUBE-CMP,BLK,54",1/4" WLL	1
	✘	TUBE-CMP,BLK,72",1/4" WLL	1
	✘	TUBE-CMP,BLK,45",1/4", "M"	1
	✘	TUBE-CMP,BLK,60",1/4",MDI	1
	✘	TUBE-CMP,BLK,60",1/4", "M"	1
222	830-110	SCREW-5-16-18 X 5/8 SHCS SS	2
224	230-039	CABLE CLAMP, 1/4" STEEL	1
226	✘	PLAIN END HOUSING, PNT 4.5 DI	1
228	792-005	GUARD, TRANSDUCER, PNT 4.5 DI	1
230	2092600	PIN-DRIVE 1.06" LG (SS) *80LB THRUST* *4* *112LB THRUST* *4.5*	1
232	2091701	WASHER-PROP (LARGE) *80LB THRUST* *4* *112LB THRUST* *4.5*	1
234	2093101	NUT-PROP,NYLOC,LG, 3/8 SS *80LB THRUST* *4* *112LB THRUST* *4.5*	1
236	2331160	PROP-WW2 (4") w/ADP.RING *80LB THRUST* *4*	1
238	188-095	BRUSH *4.5* *112LB THRUST*	2
240	975-045	SPRING - TORSION *4.5* *112 LB THRUST*	2
242	640-021	LEADWIRE BLK 10 AWG 69.5 XLP *112 LB THRUST* *54**	1
	640-049	LEADWIRE BLK 10 AWG 88.50 GPT *4.5* *112LB THRUST* *72**	1
	640-045	LEADWIRE BLK 10 AWG 76.5" GPT *4.5* *112LB THRUST* *60**	1

▲ Not shown on Parts Diagram.

✘ This part is included in an assembly and cannot be ordered individually.

◆ Only available with models factory installed with i-Pilot.

● Only available with models factory installed with i-Pilot Link.

⊕ Only available with models factory installed with Universal Sonar.

➔ Only available with models factory installed with Built-in MEGA Down Imaging.

# PARTS DIAGRAM & PARTS LIST

Item	Part #	Description	Quantity
244	640-149	LEADWIRE RED 10 AWG 88 GPT *4.5* *112LB THRUST* *72**	1
	640-143	LEADWIRE RED 10 AWG 68 1/2" GPT *112LB THRUST* *54**	1
	640-145	LEADWIRE RED 10 AWG 75 7/8" GPT *112LB THRUST* *60**	1
▲	✘	BRUSH HOLDER *4.5* *112LB THRUST*	2
246	9-738-011	BRUSH PLATE *4.5* *112LB THRUST*	1
	2-600-244	BRUSH PLATE ASM 4.5" HAND 62" *112LB THRUST*	1
	2-600-249	BRUSH PLATE ASM 4.5" 72" *112LB THRUST*	1
248	2260731	TERMINAL 1/4" MALE TAB-THREE *4.5* *112LB THRUST*	2
250	2307312	BEAD-FERRITE	1
252	2-100-245	ARMATURE ASY 4.5"LWR UNIT *112LB THRUST* *4.5*	1
254	140-014	BEARING-BALL 6000 *112LB THRUST* *4.5*	1
256	✘	CTR HSG ASY 4.5" MAG FW CB *112LB THRUST* *4.5*	1
258	2-300-155	BRUSH END HSG ASY 4.5" FW *112LB THRUST* *4.5*	1
260	✘	PLN END HSG 4.5" US2.5 PNT FW *112LB THRUST* *4.5*	1
262	701-009	O-RING *112LB THRUST* *4.5*	2
264	701-098	O-RING, 98MM X 2MM *112LB THRUST* *4.5*	1
266	701-103	O-RING, 103MM X 3.00MM, 70 BUNA *112LB THRUST* *4.5*	1
268	2053410	SCREW-#8-32 X 1/2 TRI-LOBE HEX *112LB THRUST* *4.5*	2
270	830-094	THRU BOLT 12-24 X10.31 *80LB THRUST* *4.0* *112LB THRUST* *4.5*	2
272	990-051	WASHER - STEEL THRUST *80LB THRUST* *4.0* *112LB THRUST* *4.5*	1
274	990-052	WASHER - NYLATRON *80LB THRUST* *4.0* *112LB THRUST* *4.5*	1
276	640-316	LEADWIRE BROWN 18 AWG 71" GPT *55LB THRUST* *3.625* *80LB THRUST* *4.0* *112LB THRUST* *4.5*	1
	640-315	LEADWIRE BROWN 18 AWG 62" GPT *80LB THRUST* *4.0*	1
	640-317	LEADWIRE BROWN 18 AWG 86" GPT *80LB THRUST* *4.0* *112LB THRUST* *4.5*	1
278	582-016	CLIP-RETAINING, SONAR *112LB THRUST* *4.5*	1
280	992-011	WASHER - BELLEVILLE *112LB THRUST* *4.5*	2
282	2302104	SCREW-#6-20 X 3/8 THD CUTS *80LB THRUST* *4.0* *112LB THRUST* *4.5*	1
284	230-038	CABLE CLAMP *80LB THRUST* *4.0* *112LB THRUST* *4.5*	1
286	990-011	WASHER-SHIM OD 1",ID.630"SS *112LB THRUST* *4.5*	1
288	788-040	RETAINING RING	1
290	880-025	SEAL	2
▲	✘	RIVET - .25" *4* *80LB THRUST* *4.5* *112LB THRUST*	6
292	725-035	PAPER TUBE, SEAL	1
294	144-017	BEARING, FLANGE	1
	144-049	BEARING, FLANGE	1
296	3393450	SCREW-#6-19 X.75 PPH HI-LOW SS	4
298	2323429	SCREW #6-32 X .50" SS BHCS	1
300	2321523	COLLAR-FRONT, LIFT ASSIST, FW	1
302	2321527	COLLAR-BACK, LIFT ASSIST, FW	1
304	2323110	NUT-HEX, 6-32 NYLOK SS	1

▲ Not shown on Parts Diagram.

✘ This part is included in an assembly and cannot be ordered individually.

◆ Only available with models factory installed with i-Pilot.

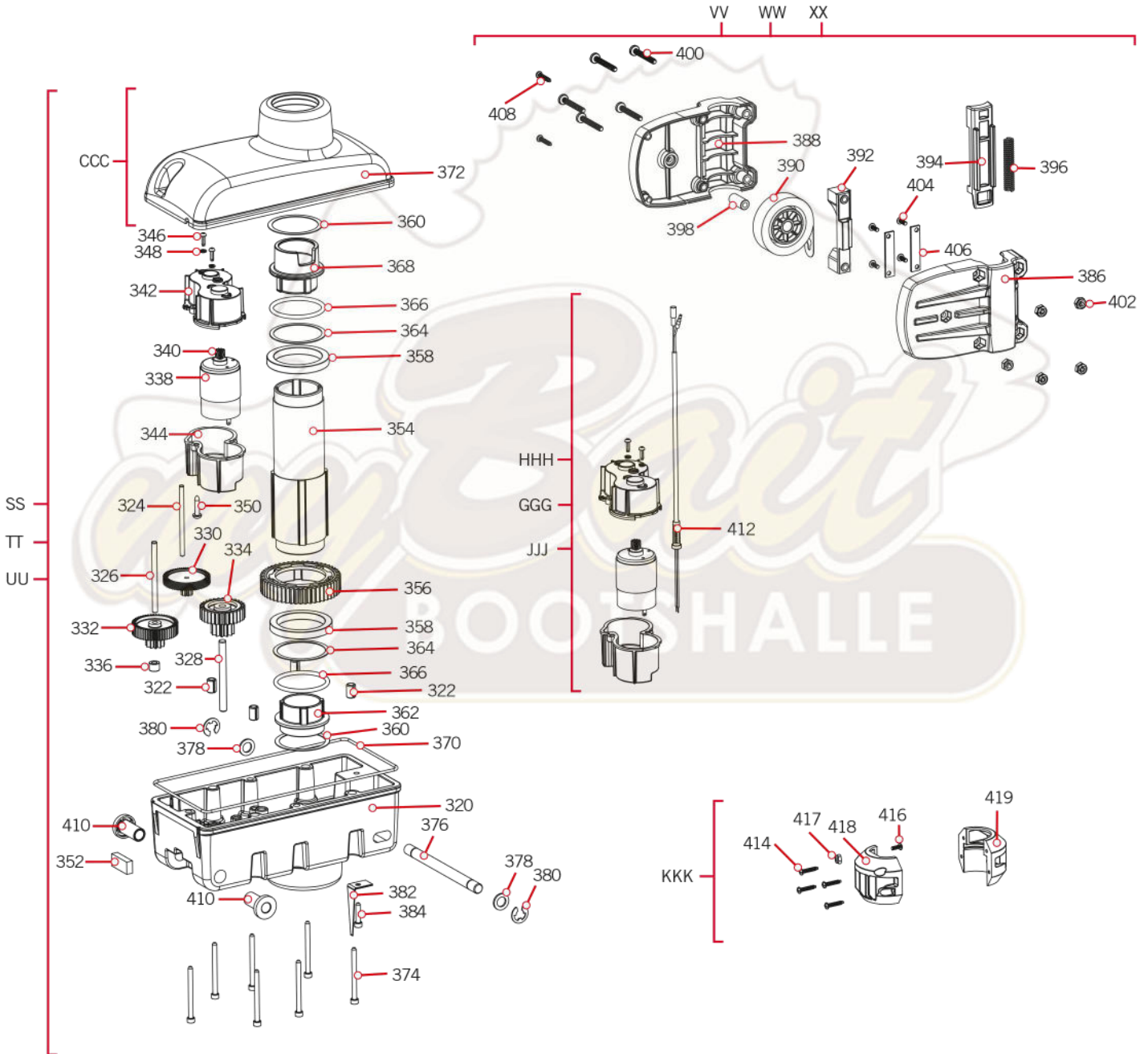
● Only available with models factory installed with i-Pilot Link.

⊕ Only available with models factory installed with Universal Sonar.

➔ Only available with models factory installed with Built-in MEGA Down Imaging.

TERROVA STEERING HOUSING

Steering Housing Parts Diagram



## Steering Housing Parts List

Assembly	Part #	Description	Quantity
SS	2997060	STEERING HSG ASM 12V FW	1
TT	2997061	STEERING HSG ASM 24V FW	1
UU	2997062	STEERING HSG ASM 36V FW	1
VV	2992720	LIFT ASSIST, 55# FW	1
WW	2992721	LIFT ASSIST, 80# FW	1
XX	2992722	LIFT ASSIST, 112# FW	1
CCC	2776561	STEERING HSG TOP FW/GEAR KIT	1
GGG	2777060	STEERING MOTOR KIT, 12V T2	1
HHH	2777061	STEERING MOTOR KIT, 24V T2	1
JJJ	2777062	STEERING MOTOR KIT, 36V FW T2	1
KKK	2771522	COLLAR-FRONT/BACK, LIFT KT	1
Item	Part #	Description	Quantity
320	2326566	HOUSING-STEERING, BTM, FW	1
322	✘	PIN-ROLL 5/16" X 1/2"	4
324	✘	SHAFT-GEAR, FIRST CLUSTER	1
326	✘	SHAFT-GEAR,INTERMED.CLUSTER	1
328	✘	SHAFT-GEAR, THIRD CLUSTER	1
330	2322210	GEAR & PINION, DR.HSG, STAGE 2	1
332	2302250	GEAR & PINION,DR. HSG, STAGE 3	1
334	2302255	GEAR & PINION,DR. HSG, STAGE 4	1
336	2321730	SPACER,GEAR CLUSTER	1
338	✘	MOTOR, STEERING 12V FW T2	1
	✘	MOTOR, STEERING 24V FW T2	1
	✘	MOTOR, STEERING 36V FW T2	1
340	2322215	GEAR-PINION, DR.HSG, STAGE 1	1
342	2322520	CASE-MOTOR,STRG HSG,TOP	1
344	2322525	CASE-MOTOR,STRG HSG,BTM	1
346	2053422	SCREW-X6 X /375 PLASTITE SS	2
348	2051710	SPLIT LOCK WASHER 3MM	2
350	2043412	SCREW-#8-18 X 3/4 TY AB SS PPH	1
352	2308601	BREATHER FILTER, DR.HOUSING	1
354	2322030	TUBE-OUTPUT, MACHINED	1
356	2322200	GEAR-OUTPUT	1
358	2327308	BEARING-BALL,SEALED	2
360	2321704	WASHER-THRUST, STEERING	2
362	2321510	COLLAR-DRIVE,BOTTOM	1

▲ Not shown on Parts Diagram.

✘ This part is included in an assembly and cannot be ordered individually.

◆ Only available with models factory installed with i-Pilot.

● Only available with models factory installed with i-Pilot Link.

⊕ Only available with models factory installed with Universal Sonar.

➔ Only available with models factory installed with Built-in MEGA Down Imaging.





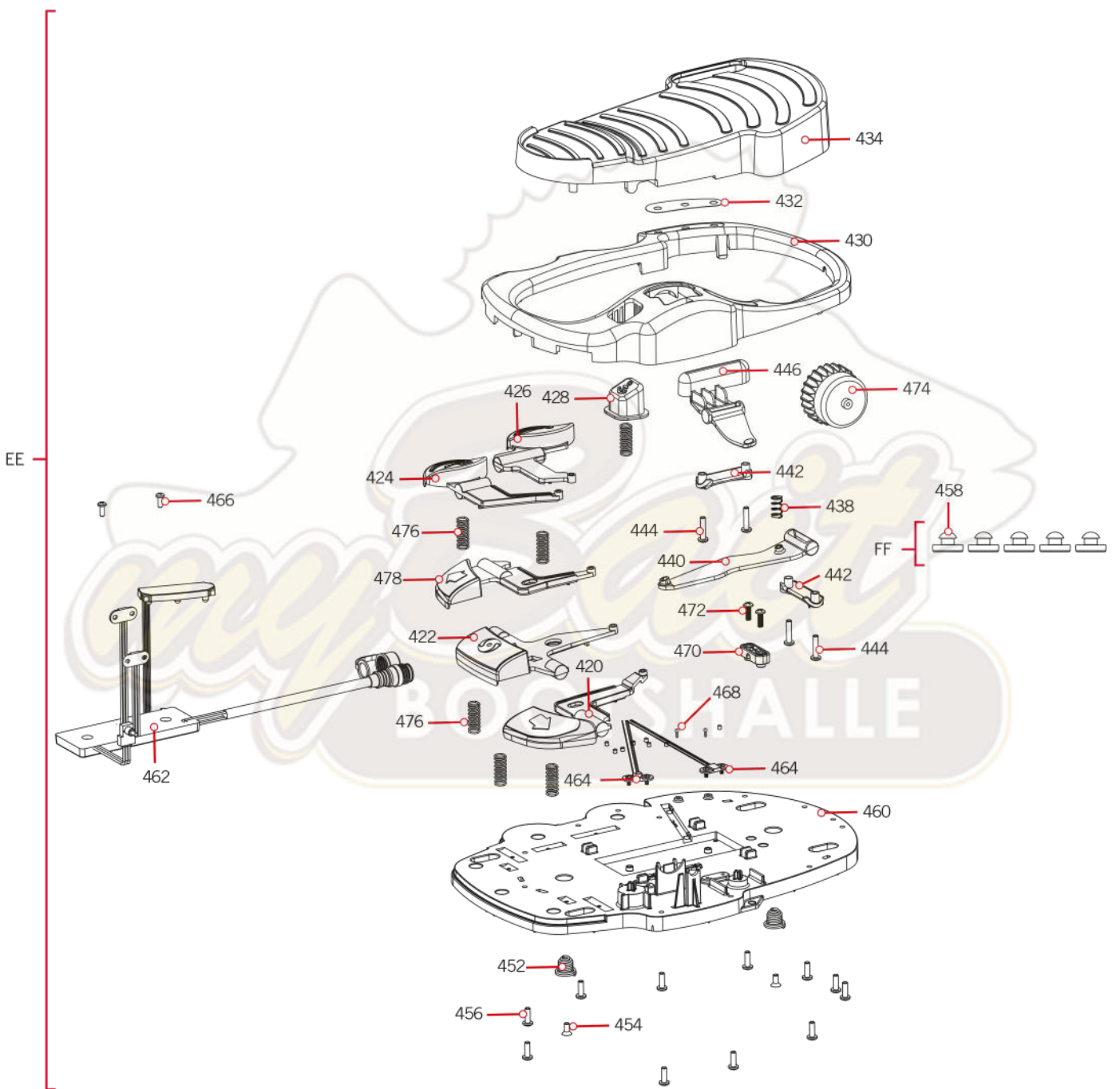
Item	Part #	Description	Quantity
364	2321720	SHIM,O-RING	2
366	2324608	O-RING,224, STR HSG	2
368	2321530	LINER OUTPUT TUBE,LFT AST	1
370	2324604	O-RING, CASE SEAL	1
372	✘	HOUSING-STEERING, TOP, FW	1
374	2323408	SCREW-#8-32 X 2.0 SHCS SS	7
376	2322600	PIN-LATCH, ZP	1
378	2321702	WASHER-FLAT .375 NYLON	2
380	2263011	E-RING 3/8 DIA. SHAFT*	2
382	2322702	SPRING, LATCH PIN SS	2
384	2323410	SCREW-#8-32 X .75 SHCS SS	1
386	2326545	HOUSING-RIGHT,LIFT ASSIST	1
388	2326540	HOUSING-LEFT, LIFT ASSIST	1
390	2997900	ASM-HUB/SPRING, 55# SS	1
	2997901	ASM-HUB/SPRING, 80# SS	1
	2997902	ASM-HUB/SPRING, 112# SS	1
392	2322300	GUIDE,DR.DOG, LIFT ASSIST	1
394	2328605	ENGAGEMENT DOG, LIFT ASST	1
396	2322726	SPRING,COMPRESSION,.360" OD SS	1
398	2322610	PIN-AXLE, LIFT ASSIST	1
400	2323430	SCREW-#10-24 X 1-3/8, PPH	5
402	2333101	NUT-HEX #10-24 UNC-2B NYL SS	5
404	2372103	SCREW-#6 X .375 PLASTITE SS	4
406	2321955	BRACKET, LIFT ASSIST	2
408	3393450	SCREW-#6-19 X .75 PPH HI-LO	2
410	2327310	BUSHING, PIVOT PIN	2
412	✘	LEADWIRE, STEERING MOTOR	1
414	3393450	SCREW-#6-19 X.75 PPH HI-LOW SS	4
416	2323429	SCREW #6-32 X .50" SS BHCS	1
417	2323110	NUT-HEX, 6-32 NYLOK SS	1
418	2321523	COLLAR-FRONT, LIFT ASSIST, FW	1
419	2321527	COLLAR-BACK, LIFT ASSIST, FW	1

▲ Not shown on Parts Diagram.  
 ✘ This part is included in an assembly and cannot be ordered individually.  
 ◆ Only available with models factory installed with i-Pilot.  
 ● Only available with models factory installed with i-Pilot Link.  
 + Only available with models factory installed with Universal Sonar.  
 ➔ Only available with models factory installed with Built-in MEGA Down Imaging.



## TERROVA FOOT PEDAL

### Foot Pedal Parts Diagram



## Foot Pedal Parts List

Assembly	Part #	Description	Quantity
EE	2994722	FOOT PEDAL ASM, TRV BT	1
FF	2994859	BAG ASY-TERROVA/V2,RUB.BUMPERS	1
Item	Part #	Description	Quantity
420	2323731	BUTTON, RIGHT STEER, TERROVA	1
422	2323735	BUTTON, MOMENTARY, TERROVA	1
424	2323715	BUTTON,MOM/CON,FT PEDAL	1
426	2323725	BUTTON,AP,FT PEDAL	1
428	2203720	BUTTON, SPOT LOCK,ULTERRA/TRRV	1
430	2320206	COVER,HEEL TOE FT PED,TRV	1
432	2325655	DECAL, 3 INDICATORS, TERROVA	1
434	2324401	PEDAL,HEEL/TOE FOOT PEDAL	1
438	2322714	SPRING SS	1
440	2328600	FLEX FINGER, FOOT PEDAL	1
442	2321300	CLAMP, FT PEDAL	2
444	2223430	SCREW-#8x3/4 PPH,TYPE 25,SS	4
446	2323710	BUTTON,MOM,FT PEDAL	1
452	2322706	SPRING-BARREL SS	2
454	2323420	SCREW-#8-18 X 3/8" PFH SS TY B	2
456	2301310	SCREW-#8-18 X 1/2 (SS)*	11
458	2325110	PAD, FOOT PEDAL	5
460	2204500	BASE PLATE-ULTERRA / TERROVA	1
462	✘	CONTROL BOARD ASSY, FOOT PEDAL, TERROVA	1
464	2373440	SCREW-#4-24 X 1/4 PHCR SS TY B	4
466	2332103	SCREW-#6-20 X 3/8 THD*(SS)	2
468	2302100	SCREW-#6-20 X 1/2 THD CUTS	2
470	2322900	STRAIN RELIEF, FOOT PEDAL	1
472	2372100	SCREW-#8-18 X 5/8 THD* (SS)	2
474	2320100	KNOB-SPEED, FOOT PEDAL	1
476	2322704	SPRING, LARGE SHORT SS	6
478	2323730	BUTTON, LEFT STEER, TERROVA	1

▲ Not shown on Parts Diagram.

✘ This part is included in an assembly and cannot be ordered individually.

◆ Only available with models factory installed with i-Pilot.

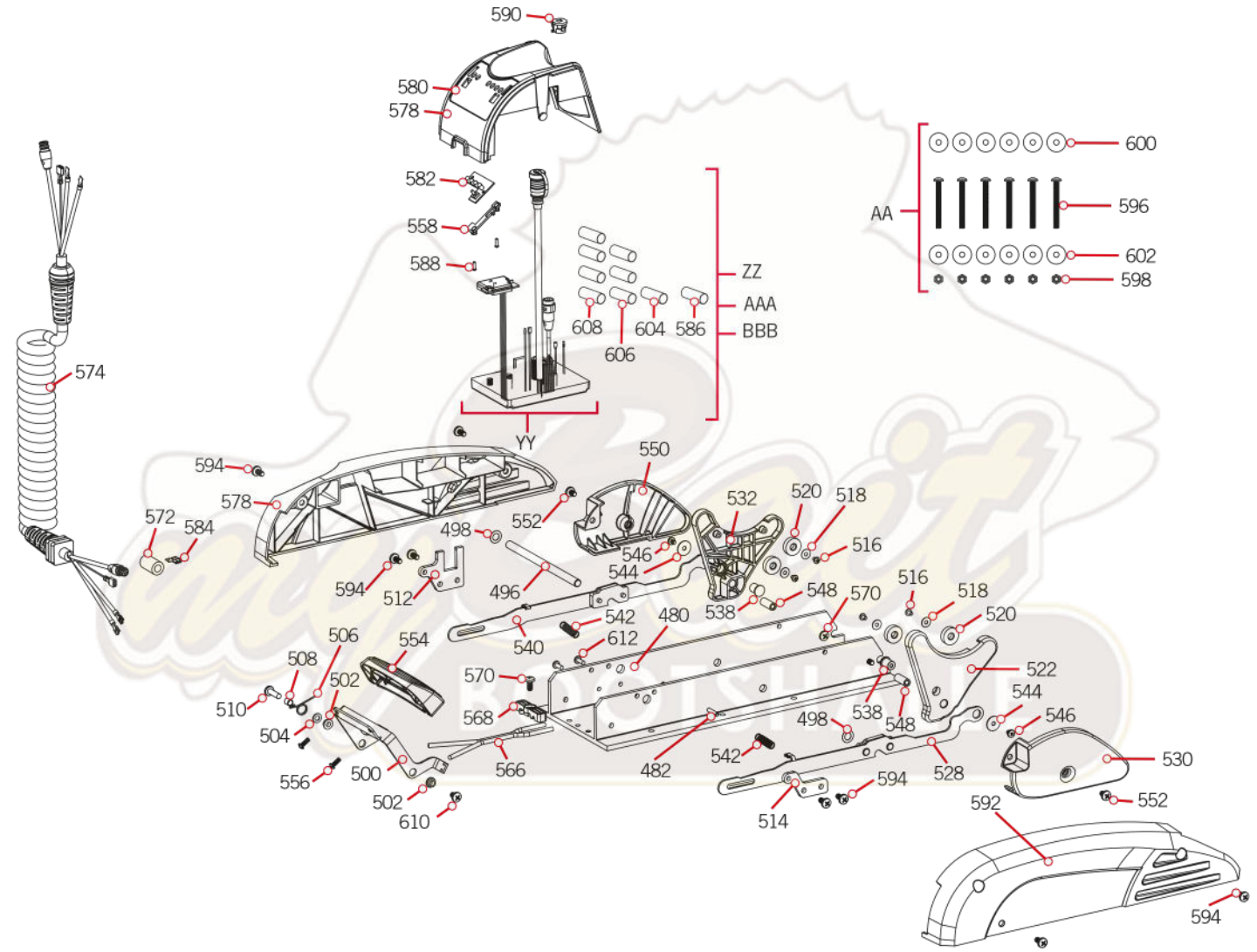
● Only available with models factory installed with i-Pilot Link.

⊕ Only available with models factory installed with Universal Sonar.

➔ Only available with models factory installed with Built-in MEGA Down Imaging.

## TERROVA MOUNT

### Mount Parts Diagram



## Mount Parts List

Assembly	Part #	Description	Quantity
YY	2774065	CONTROL BRD, 12V TERROVA BT *NO SHRINKS*	1
ZZ	2774066	CTRL BRD, 24/36V TRV BT w/SHRNK *SHRINK TUBES*	1
AAA	2774067	CTRL BRD, 12V IP TRV BT w/SHRNK *SHRINK TUBES* *i-PILOT/i-PILOT LINK*	1
BBB	2774069	CTRL BRD, 24/36V IP TRV BT, SHRNK *SHRINK TUBES* *i-PILOT/i-PILOT LINK*	1
AA	2994864	BAG ASSY-TERROVA/V2,MNTG HDW	1
Item	Part #	Description	Quantity
480	2321907	BASE, EXTRUSION, MACHINED	1
482	2322912	PIN-ROLL .1875 X 1.000 SS	2
▲	2325502	DECAL, STOW / DEPLOY, T2	1
496	2322602	PIN-PIVOT, ZP	1
498	2013100	NUT-SPEED	2
500	2320405	HANDLE, RELEASE, FW	1
502	2322604	BUSHING,HANDLE,GOBEIL	2
504	2071716	WASHER-FLAT SS .253 x .470	1
506	2322701	SPRING, TORSION	1
508	2301700	SPACER-RELEASE LEVER-BRASS	1
510	2073408	SCREW-1/4-20 X 7/8 PPH S/S	1
512	2321940	BRACKET, STRAIN RELIEF FW	1
514	2321950	BRACKET, SIDEPLATE FW	1
516	2323412	SCREW-#8-18 X .25 PPH SS TY B	4
518	2321706	WASHER-FLAT #8 .50 OD/.188 SS	4
520	2325115	PAD, RUBBER REST, BLACK	4
522	2323910	RAMP-MOTOR, RIGHT 3-5/8"	1
	2323931	RAMP-MOTOR, RIGHT 4.5"	1
	2323930	RAMP-MOTOR, RIGHT 4"	1
528	2994204	ARM/SUPPORT BLOCK ASSY,R,FW	1
530	2321920	PLATE-SKID, RIGHT FW *4.0* *3.625* *55LB THRUST* * 80LB THRUST*	1
	2321922	PLATE-SKID, RIGHT FW *4.5* *112LB THRUST*	1
532	2323915	RAMP-MOTOR, LEFT 3 5/8"	1
	2323935	RAMP-MOTOR, LEFT 4"	1
	2323936	RAMP-MOTOR, LEFT 4.5"	1
538	2324705	INSERT-MOTOR RAMP,METAL,ZP	2
540	2994202	ARM/SUPPORT BLOCK ASSY,L,FW	1
542	2322716	SPRING, EXTENSION, T2	2
544	2321700	WASHER #10 SS	2
546	2323422	SCREW-#10-24 X .25" PPH SS MCH	2

▲ Not shown on Parts Diagram.

\* This part is included in an assembly and cannot be ordered individually.

◆ Only available with models factory installed with i-Pilot.

● Only available with models factory installed with i-Pilot Link.

⊕ Only available with models factory installed with Universal Sonar.

➔ Only available with models factory installed with Built-in MEGA Down Imaging.

# PARTS DIAGRAM & PARTS LIST

Item	Part #	Description	Quantity
548	2322920	STAND-OFF, ALUMINUM PLAIN	2
550	2321925	PLATE-SKID, LEFT FW *4.0* *3.625* *55LB THRUST* * 80LB THRUST*	1
	2331927	PLATE-SKID, LEFT FW *4.5* *112LB THRUST*	1
552	2323403	SCREW-1/4-20 X.375 MCH SS CRPH	2
554	2320217	COVER, HANDLE COSMETIC FW	1
556	2383446	SCREW-#8-16 X .50" PLASTITE SS	2
558	2320830	LOCKING TAB,PWR/BAT.METER	1
▲	2383428	SCREW-#4-24 X 3/8 HI-LO SS	2
▲	2320203	CAP-DUST,CONNECTOR,FEMALE	1
▲	2323406	SCREW-#10-24 X .50 CRPH SS	2
566	2090651	LEADWIRE,10 GA	1
568	2321310	STRAIN RELIEF	1
570	2323405	SCREW-1/4-20 X 1/2" MCH SS	3
572	2307313	BEAD-FERRITE	1
574	2991272	COIL CORD ASY 54"/60" U.SONAR	1
	2991276	COIL CORD ASSY 472" U.SONAR	1
	2991274	COIL CORD ASSY 45"/48" U.SONAR	1
	2991271	COIL CORD ASY 54"/60" NON-US2	1
576	2323927	SIDEPLATE-LEFT, TERROVA	1
578	2326530	HOUSING-CENTER, TERROVA	1
580	2325657	DECAL, B. MTR/CON/PWR/STATUS FW	1
582	2074072	BATTERY METER, 36V, FW	1
	2074071	BATTERY METER, 24V, FW	1
	2074070	BATTERY METER, 12V, FW	1
584	2320710	TERMINAL-AMP (T-TAB)	1
586	2325401	SHRINK TUBE-3/4 ID X 2" W/ADHS	1
▲	2321315	HOLDER-CONNECTOR,NYLON,BLACK	1
588	2332103	SCREW-#6-20 X 3/8 THD*(SS)	2
590	2322901	STRAIN RELIEF, HEYCO P/N 1852	1
592	2323922	SIDEPLATE-RIGHT, TERROVA	1
594	2323404	SCREW-1/4-20 X 1/2" T-L ZP	8
596	2263462	SCREW-1/4-20 X 2" S/S PPH ADJT	6
598	2263103	NUT-1/4-20 NYLOCK SS	6
600	2301720	WASHER-MOUNTING - RUBBER	6
602	2261713	WASHER-1/4 FLAT 18-8 SS	6
604	2305415	SHRINK TUBE-.472 ID X 2.25"	1
606	2305410	SHRINK TUBE-.315 OD X 2.25"	3

▲ Not shown on Parts Diagram.

\* This part is included in an assembly and cannot be ordered individually.

◆ Only available with models factory installed with i-Pilot.

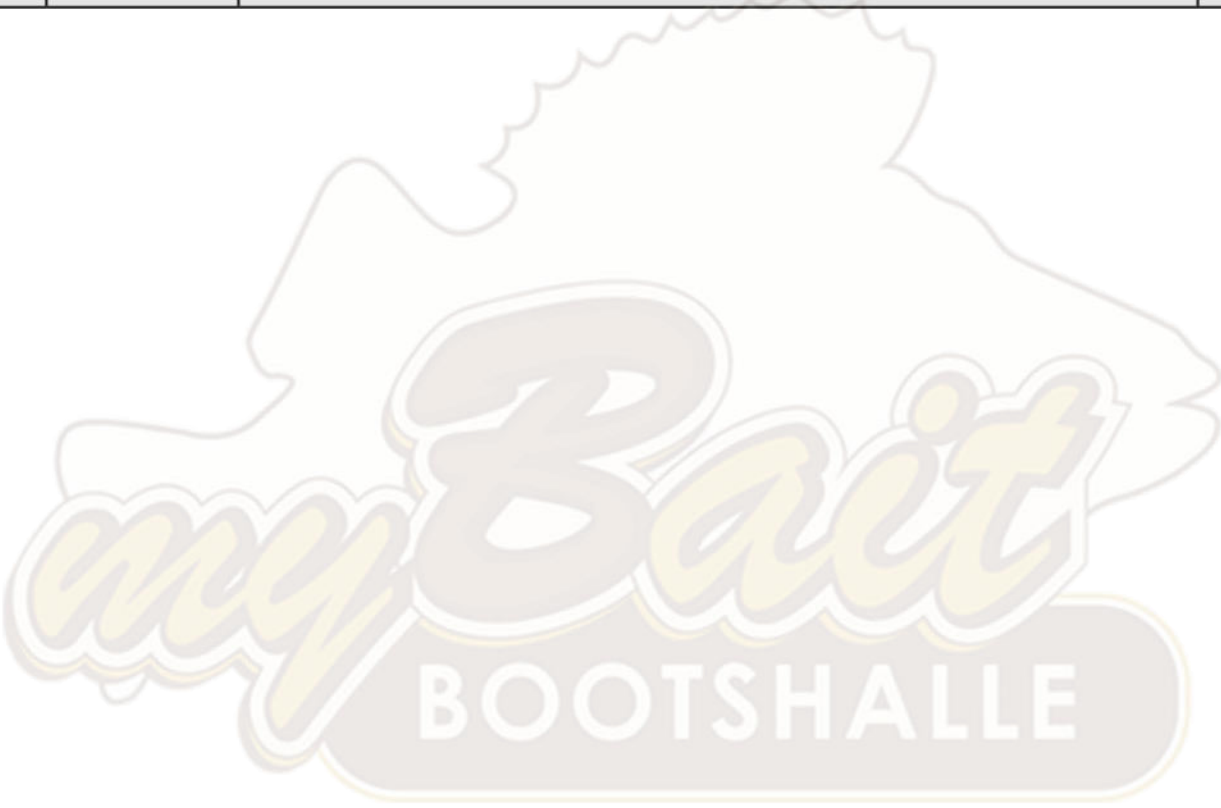
● Only available with models factory installed with i-Pilot Link.

⊕ Only available with models factory installed with Universal Sonar.

➔ Only available with models factory installed with Built-in MEGA Down Imaging.



Item	Part #	Description	Quantity
608	2305401	SHRINK TUBE-.374 ID X `1.5"	4
610	2332104	SCREW-1/4-20 X 5/8 S/S	1
612	2323402	SCREW-1/4-20 X .375 T-L, ZP	2
▲	2327130	MANUAL, TERROVA BT*ONLINE ONLY*	1
▲	2327132	MANUAL, INSTALL GUIDE, TRRV BT	1
▲	2397100 ◆	MANUAL, IPILOT 1.6 *ONLINE ONLY*	1
▲	2397102 ●	MANUAL, IPILOT 3.0 *ONLINE ONLY*	1
▲	2297165	MANUAL - DISCLAIMER. DOWNLOAD INFO	1



▲ Not shown on Parts Diagram.  
 ✖ This part is included in an assembly and cannot be ordered individually.  
 ◆ Only available with models factory installed with i-Pilot.  
 ● Only available with models factory installed with i-Pilot Link.  
 + Only available with models factory installed with Universal Sonar.  
 ➔ Only available with models factory installed with Built-in MEGA Down Imaging.

