

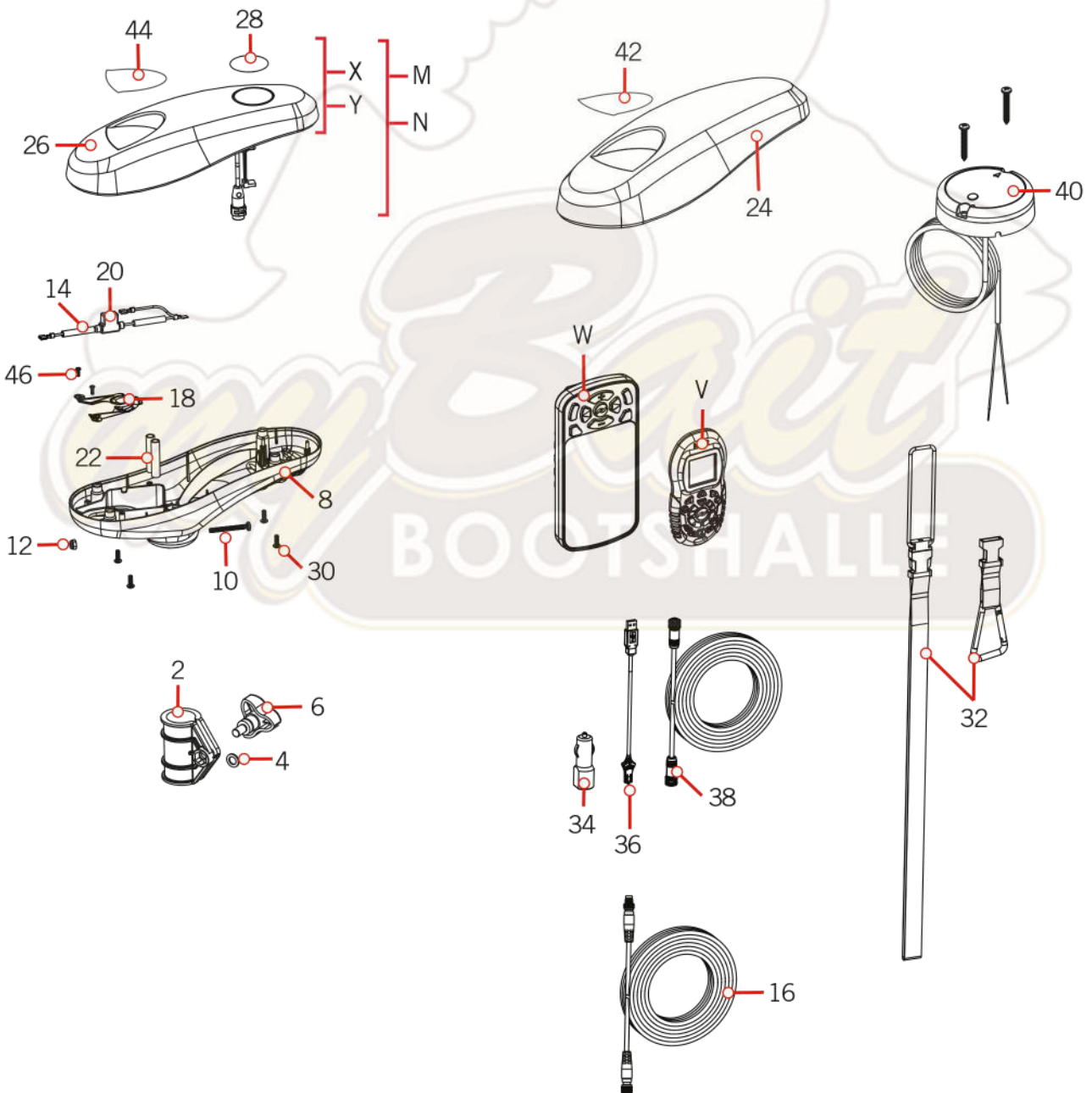
PARTS DIAGRAM & PARTS LIST

TERROVA - 55/80/112 LBS THRUST - 12/24/36 VOLT - 45"/54"/60"/72" SHAFT

The parts diagram and parts list provides Minn Kota® WEEE compliance disassembly instructions. For more information about where you should dispose of your waste equipment for recycling and recovery and/or your European Union member state requirements, please contact your dealer or distributor from which your product was purchased. Tools required, but not limited to: flat head screwdriver, Phillips screwdriver, socket set, pliers, wire cutters.

TERROVA CONTROL HEAD

Control Head Parts Diagram



Control Head Parts List

| Assembly | Part # | Description | Quantity |
|----------|------------|--|----------|
| M | 2774176 ♦ | MOTOR KIT, iPLT 1.6 TRV,UTX *I-PILOT RECEIVER* | 1 |
| N | 2774177 ● | MOTOR KIT, iPLT 3.0 TRV,UTX *I-PILOT LINK RECEIVER* | 1 |
| V | 2994075 ♦ | REMOTE ASSY, IPILOT 1.6 | 1 |
| W | 2994076 ● | REMOTE ASSY, IPILOT LINK *I-PILOT LINK ONLY* | 1 |
| X | 2770233 ♦ | COVER KIT, IPLT 1.6 TRV, ULTREX *I-PILOT* *COVER & DECALS ONLY* | 1 |
| Y | 2770234 ● | COVER KIT, IPLT 3.0 TRV, ULTREX *I-PILOT LINK* *COVER & DECALS ONLY* | 1 |
| Item | Part # | Description | Quantity |
| ▲ | ✘ | SEAL,BUNG LOWER | 1 |
| ▲ | ✘ | SEAL,BUNG UPPER,FW | 1 |
| 2 | 2321505 | DEPTH COLLAR, LIFT ASSIST | 1 |
| 4 | 2321702 | WASHER-FLAT .375 NYLON | 1 |
| 6 | 2260905 | KNOB-SOFT GRIP,HG/DR,ZNC | 1 |
| 8 | 2292500 | CONTROL BOX, ULTREX | 1 |
| 10 | 2332102 | SCREW-#10-24 X 1-3/4 PPH SS | 1 |
| 12 | 2333101 | NUT-HEX #10-24 UNC-2B NYL SS | 1 |
| 14 | 2065400 | WIRE INSULATOR-LGE 1-3/4, BLUE | 2 |
| 16 | 2211415 + | CABLE-EXTENSION, 110" *US2* | 1 |
| | 490507-1 ➔ | CABLE, ADP-INT MDI 14 M12-120" | 1 |
| ▲ | 2256300 | TIE WRAP-5.5" BLACK | 2 |
| 18 | 2224706 | INSERT-PLUG | 1 |
| ▲ | 9950433 | TIE WRAP-4" BLACK | 2 |
| 20 | 2218201 | FUSE HOLDER ASSEMBLY | 1 |
| 22 | 2375400 | SHRINK TUBE-1/40D X 1-3/4 | 2 |
| 24 | 2290217 | COVER,CTRL BOX | 1 |
| 26 | ✘ | CVR, CTRL BX IP | 1 |
| 28 | 2395545 ♦ | DECAL, DOMED, iPILOT FW | 1 |
| | 2395547 ● | DECAL, DOMED, iPILOT LINK FW | 1 |
| 30 | 2372100 | SCREW-#8-18 X 5/8 THD (SS) | 7 |
| 32 | 2390800 ♦● | LANYARD, REMOTE W/ CARABINER | 1 |
| 34 | 2375901 ● | ADAPTER, USB DC POWER *LINK ONLY* | 1 |
| 36 | 2373241 ● | CABLE, USB REMOTE CHARGER *LINK ONLY* | 1 |
| 38 | 490389-1 ● | CABLE, ETHERNET, 30' * LINK ONLY* | 1 |
| 40 | 2996400 | HEADING SENSOR ASSEMBLY | 1 |
| ▲ | 2397106 ♦ | QUICK - QUICK REF, IPILOT 1.6 | 1 |
| ▲ | 2397107 ● | QUICK - QUICK REF, IPILOT 3.0 | 1 |

▲ Not shown on Parts Diagram.

✘ This part is included in an assembly and cannot be ordered individually.

♦ Only available with models factory installed with i-Pilot.

● Only available with models factory installed with i-Pilot Link.

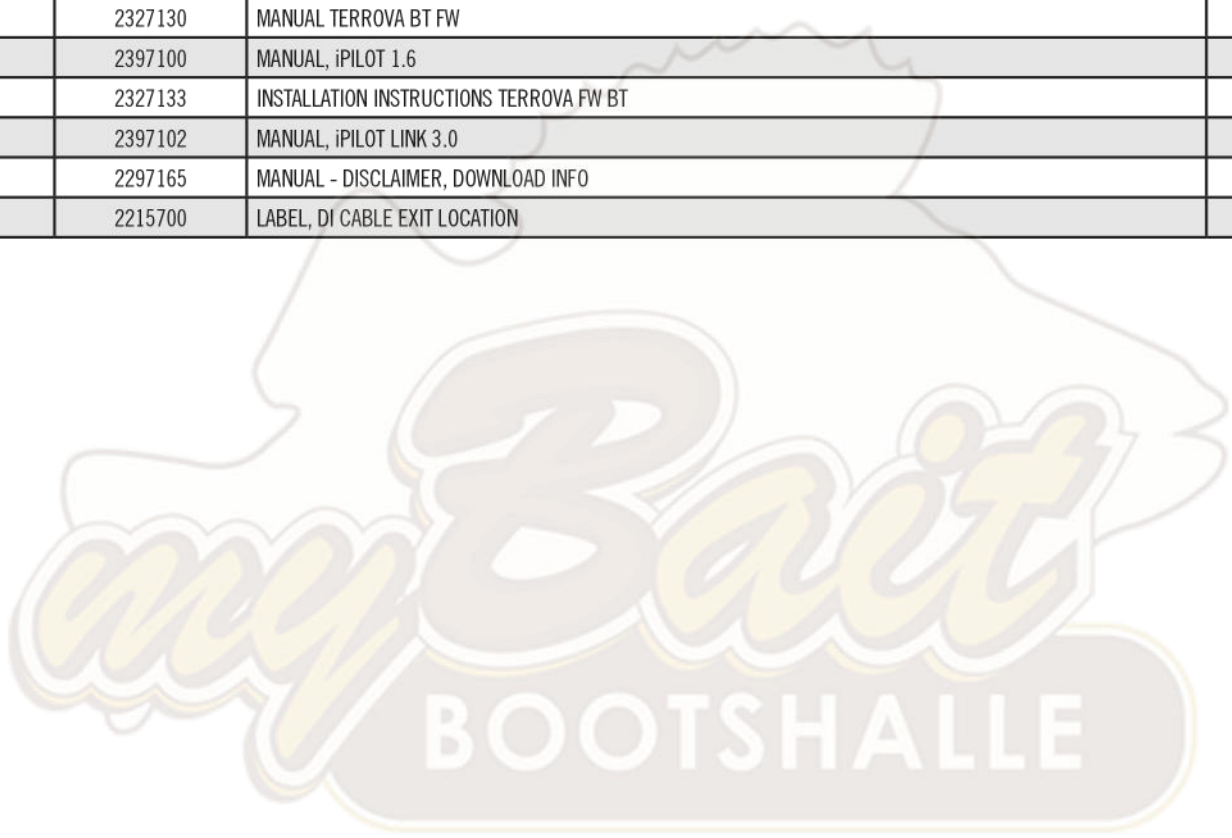
+ Only available with models factory installed with Universal Sonar.

➔ Only available with models factory installed with Built-in MEGA Down Imaging.

PARTS DIAGRAM & PARTS LIST



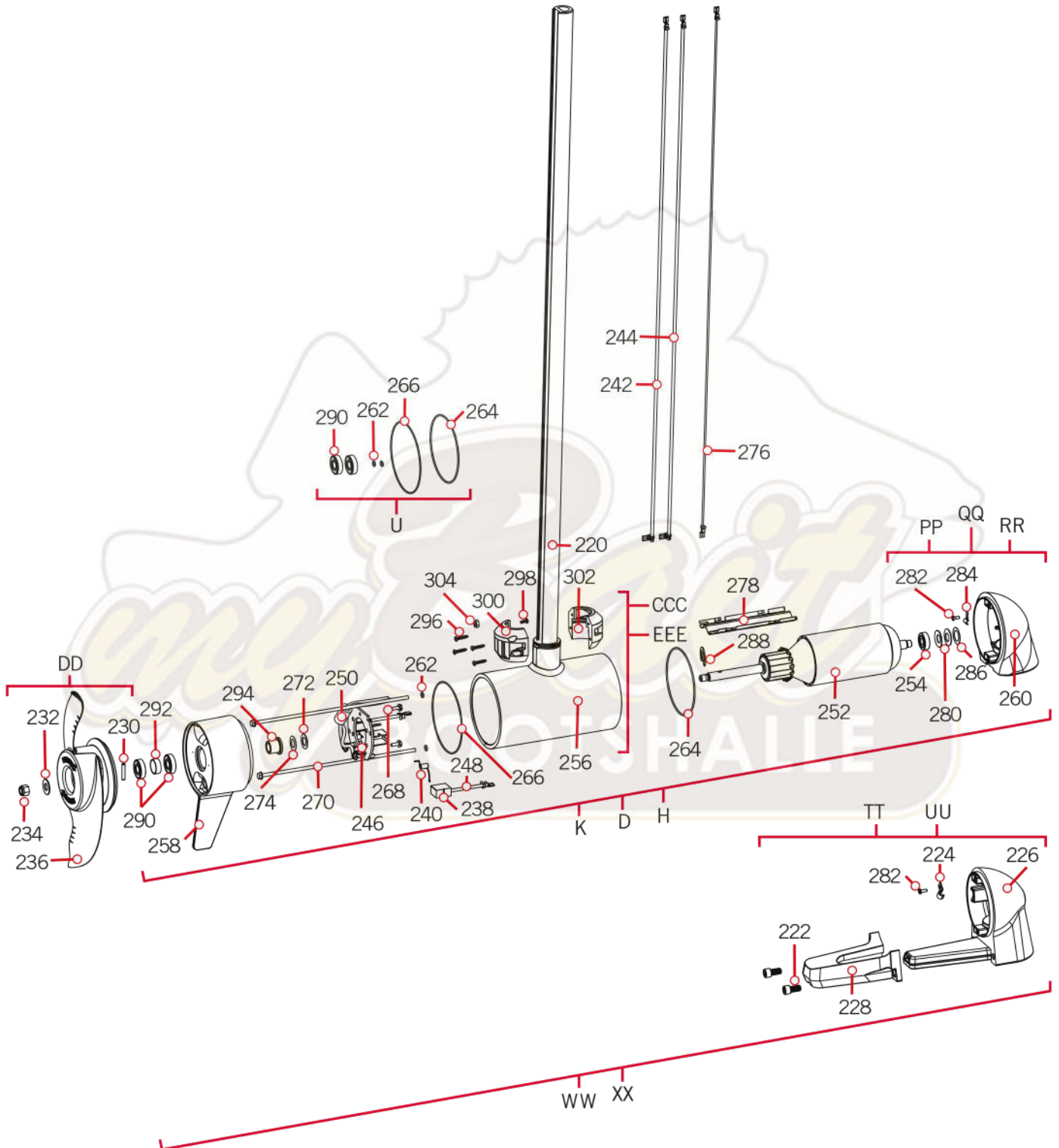
| Item | Part # | Description | Quantity |
|------|---------|---|----------|
| 42 | 2325631 | DECAL, COVER, TERROVA 55 *55LB THRUST* | 1 |
| | 2325632 | DECAL, COVER, TERROVA 80 *80LB THRUST* | 1 |
| ▲ | 2394900 | INSTRUCTION HEADING SENSOR | 1 |
| 44 | 2325634 | DECAL, PUSH BTN TOP, TRV/iP 112 | 1 |
| | 2395554 | DECAL, PUSH BTN TOP, T2/iP 80 | 1 |
| | 2395550 | DECAL, PUSH BTN TOP, T2/iP 55 | 1 |
| 46 | 2372103 | SCREW. #6 x 3/8 PLASTITE | 2 |
| ▲ | 2327130 | MANUAL TERROVA BT FW | 1 |
| ▲ | 2397100 | MANUAL, iPILOT 1.6 | 1 |
| ▲ | 2327133 | INSTALLATION INSTRUCTIONS TERROVA FW BT | 1 |
| ▲ | 2397102 | MANUAL, iPILOT LINK 3.0 | 1 |
| ▲ | 2297165 | MANUAL - DISCLAIMER, DOWNLOAD INFO | 1 |
| ▲ | 2215700 | LABEL, DI CABLE EXIT LOCATION | 1 |



▲ Not shown on Parts Diagram.
 ✖ This part is included in an assembly and cannot be ordered individually.
 ◆ Only available with models factory installed with i-Pilot.
 ● Only available with models factory installed with i-Pilot Link.
 + Only available with models factory installed with Universal Sonar.
 ➔ Only available with models factory installed with Built-in MEGA Down Imaging.

PARTS DIAGRAM & PARTS LIST

36 Volt 4.5" Motor Parts Diagram



36 Volt 4.5" Motor Parts List

| Assembly | Part # | Description | Quantity |
|----------|----------|---|----------|
| D | 2777090 | MTR/TUBE 112# 54" TRV/US2 BT *54* *4.5* *UNIVERSAL SONAR* | 1 |
| H | 2777078 | MTR/TUBE 112# 60" TRV/US2 BT *60* *4.5* *UNIVERSAL SONAR* | 1 |
| K | 2777079 | MTR/TUBE 112# 72" TRV/US2 BT *72* *4.5* *UNIVERSAL SONAR* | 1 |
| CCC | 2777241 | CTR HSG, CB, 112#, FW, UP TO 60" *TUBE* *NON UNIVERSAL SONAR* *NON MDI* | 1 |
| EEE | 2777242 | CTR HSG, CB, 112#, FW, 72" TUBE *TUBE* *NON UNIVERSAL SONAR* *NON MDI* | 1 |
| DD | 1378132 | PROP IND 233160 WDLS WDG II *4* *80LB THRUST* | 1 |
| U | 2881450 | SEAL & O-RING KIT *112LB THRUST* *4.5* | 1 |
| PP | 9421-246 | PLN END HSG/TRANDUCER ASY 4.5 *112LB THRUST* *60** *TRANSDUCER* *UNIVERSAL SONAR* | 1 |
| QQ | 9421-245 | PLN END HSG/TRANDUCER ASY 4.5 *112LB THRUST* *54** *TRANSDUCER* *UNIVERSAL SONAR* | 1 |
| RR | 9421-247 | PLN END HSG/TRANDUCER ASY 4.5 *112LB THRUST* *72** *TRANSDUCER* *UNIVERSAL SONAR* | 1 |
| TT | 2773005 | PLN END HSG/TRNDCR 4.5 MDI *112 LB THRUST* *72** *TRANSDUCER* *MDI* | 1 |
| UU | 2773006 | PLN END HSG/TRNDCR 4.5 MDI *112 LB THRUST* *60** *TRANSDUCER* *MDI* | 1 |
| XX | 2777154 | MTR/TUBE ASM 112#72"TRV/MDI BT *72** *MDI* | 1 |
| WW | 2777152 | MTR/TUBE ASM 112#60"TRV/MDI BT *60** | 1 |
| Item | Part # | Description | Quantity |
| 220 | ✘ | TUBE-CMP,BLK,45",1/4" WLL | 1 |
| | ✘ | TUBE-CMP,BLK,45",1/4",MDI | 1 |
| | ✘ | TUBE-CMP,BLK,60",1/4" WLL | 1 |
| | ✘ | TUBE-CMP,BLK,54",1/4" WLL | 1 |
| | ✘ | TUBE-CMP,BLK,72",1/4" WLL | 1 |
| | ✘ | TUBE-CMP,BLK,45",1/4", "M" | 1 |
| | ✘ | TUBE-CMP,BLK,60",1/4",MDI | 1 |
| | ✘ | TUBE-CMP,BLK,60",1/4", "M" | 1 |
| 222 | 830-110 | SCREW-5-16-18 X 5/8 SHCS SS | 2 |
| 224 | 230-039 | CABLE CLAMP, 1/4" STEEL | 1 |
| 226 | ✘ | PLAIN END HOUSING, PNT 4.5 DI | 1 |
| 228 | 792-005 | GUARD, TRANSDUCER, PNT 4.5 DI | 1 |
| 230 | 2092600 | PIN-DRIVE 1.06" LG (SS) *80LB THRUST* *4* *112LB THRUST* *4.5* | 1 |
| 232 | 2091701 | WASHER-PROP (LARGE) *80LB THRUST* *4* *112LB THRUST* *4.5* | 1 |
| 234 | 2093101 | NUT-PROP,NYLOC,LG, 3/8 SS *80LB THRUST* *4* *112LB THRUST* *4.5* | 1 |
| 236 | 2331160 | PROP-WW2 (4") w/ADP.RING *80LB THRUST* *4* | 1 |
| 238 | 188-095 | BRUSH *4.5* *112LB THRUST* | 2 |
| 240 | 975-045 | SPRING - TORSION *4.5* *112 LB THRUST* | 2 |
| 242 | 640-021 | LEADWIRE BLK 10 AWG 69.5 XLP *112 LB THRUST* *54** | 1 |
| | 640-049 | LEADWIRE BLK 10 AWG 88.50 GPT *4.5* *112LB THRUST* *72** | 1 |
| | 640-045 | LEADWIRE BLK 10 AWG 76.5" GPT *4.5* *112LB THRUST* *60** | 1 |

▲ Not shown on Parts Diagram.

✘ This part is included in an assembly and cannot be ordered individually.

◆ Only available with models factory installed with i-Pilot.

● Only available with models factory installed with i-Pilot Link.

⊕ Only available with models factory installed with Universal Sonar.

➔ Only available with models factory installed with Built-in MEGA Down Imaging.

PARTS DIAGRAM & PARTS LIST

| Item | Part # | Description | Quantity |
|------|-----------|--|----------|
| 244 | 640-149 | LEADWIRE RED 10 AWG 88 GPT *4.5* *112LB THRUST* *72** | 1 |
| | 640-143 | LEADWIRE RED 10 AWG 68 1/2" GPT *112LB THRUST* *54** | 1 |
| | 640-145 | LEADWIRE RED 10 AWG 75 7/8" GPT *112LB THRUST* *60** | 1 |
| ▲ | ✘ | BRUSH HOLDER *4.5* *112LB THRUST* | 2 |
| 246 | 9-738-011 | BRUSH PLATE *4.5* *112LB THRUST* | 1 |
| | 2-600-244 | BRUSH PLATE ASM 4.5" HAND 62" *112LB THRUST* | 1 |
| | 2-600-249 | BRUSH PLATE ASM 4.5" 72" *112LB THRUST* | 1 |
| 248 | 2260731 | TERMINAL 1/4" MALE TAB-THREE *4.5* *112LB THRUST* | 2 |
| 250 | 2307312 | BEAD-FERRITE | 1 |
| 252 | 2-100-245 | ARMATURE ASY 4.5"LWR UNIT *112LB THRUST* *4.5* | 1 |
| 254 | 140-014 | BEARING-BALL 6000 *112LB THRUST* *4.5* | 1 |
| 256 | ✘ | CTR HSG ASY 4.5" MAG FW CB *112LB THRUST* *4.5* | 1 |
| 258 | 2-300-155 | BRUSH END HSG ASY 4.5" FW *112LB THRUST* *4.5* | 1 |
| 260 | ✘ | PLN END HSG 4.5" US2.5 PNT FW *112LB THRUST* *4.5* | 1 |
| 262 | 701-009 | O-RING *112LB THRUST* *4.5* | 2 |
| 264 | 701-098 | O-RING, 98MM X 2MM *112LB THRUST* *4.5* | 1 |
| 266 | 701-103 | O-RING, 103MM X 3.00MM, 70 BUNA *112LB THRUST* *4.5* | 1 |
| 268 | 2053410 | SCREW-#8-32 X 1/2 TRI-LOBE HEX *112LB THRUST* *4.5* | 2 |
| 270 | 830-094 | THRU BOLT 12-24 X10.31 *80LB THRUST* *4.0* *112LB THRUST* *4.5* | 2 |
| 272 | 990-051 | WASHER - STEEL THRUST *80LB THRUST* *4.0* *112LB THRUST* *4.5* | 1 |
| 274 | 990-052 | WASHER - NYLATRON *80LB THRUST* *4.0* *112LB THRUST* *4.5* | 1 |
| 276 | 640-316 | LEADWIRE BROWN 18 AWG 71" GPT *55LB THRUST* *3.625* *80LB THRUST* *4.0* *112LB THRUST* *4.5* | 1 |
| | 640-315 | LEADWIRE BROWN 18 AWG 62" GPT *80LB THRUST* *4.0* | 1 |
| | 640-317 | LEADWIRE BROWN 18 AWG 86" GPT *80LB THRUST* *4.0* *112LB THRUST* *4.5* | 1 |
| 278 | 582-016 | CLIP-RETAINING, SONAR *112LB THRUST* *4.5* | 1 |
| 280 | 992-011 | WASHER - BELLEVILLE *112LB THRUST* *4.5* | 2 |
| 282 | 2302104 | SCREW-#6-20 X 3/8 THD CUTS *80LB THRUST* *4.0* *112LB THRUST* *4.5* | 1 |
| 284 | 230-038 | CABLE CLAMP *80LB THRUST* *4.0* *112LB THRUST* *4.5* | 1 |
| 286 | 990-011 | WASHER-SHIM OD 1",ID.630"SS *112LB THRUST* *4.5* | 1 |
| 288 | 788-040 | RETAINING RING | 1 |
| 290 | 880-025 | SEAL | 2 |
| ▲ | ✘ | RIVET - .25" *4* *80LB THRUST* *4.5* *112LB THRUST* | 6 |
| 292 | 725-035 | PAPER TUBE, SEAL | 1 |
| 294 | 144-017 | BEARING, FLANGE | 1 |
| | 144-049 | BEARING, FLANGE | 1 |
| 296 | 3393450 | SCREW-#6-19 X.75 PPH HI-LOW SS | 4 |
| 298 | 2323429 | SCREW #6-32 X .50" SS BHCS | 1 |
| 300 | 2321523 | COLLAR-FRONT, LIFT ASSIST, FW | 1 |
| 302 | 2321527 | COLLAR-BACK, LIFT ASSIST, FW | 1 |
| 304 | 2323110 | NUT-HEX, 6-32 NYLOK SS | 1 |

▲ Not shown on Parts Diagram.

✘ This part is included in an assembly and cannot be ordered individually.

◆ Only available with models factory installed with i-Pilot.

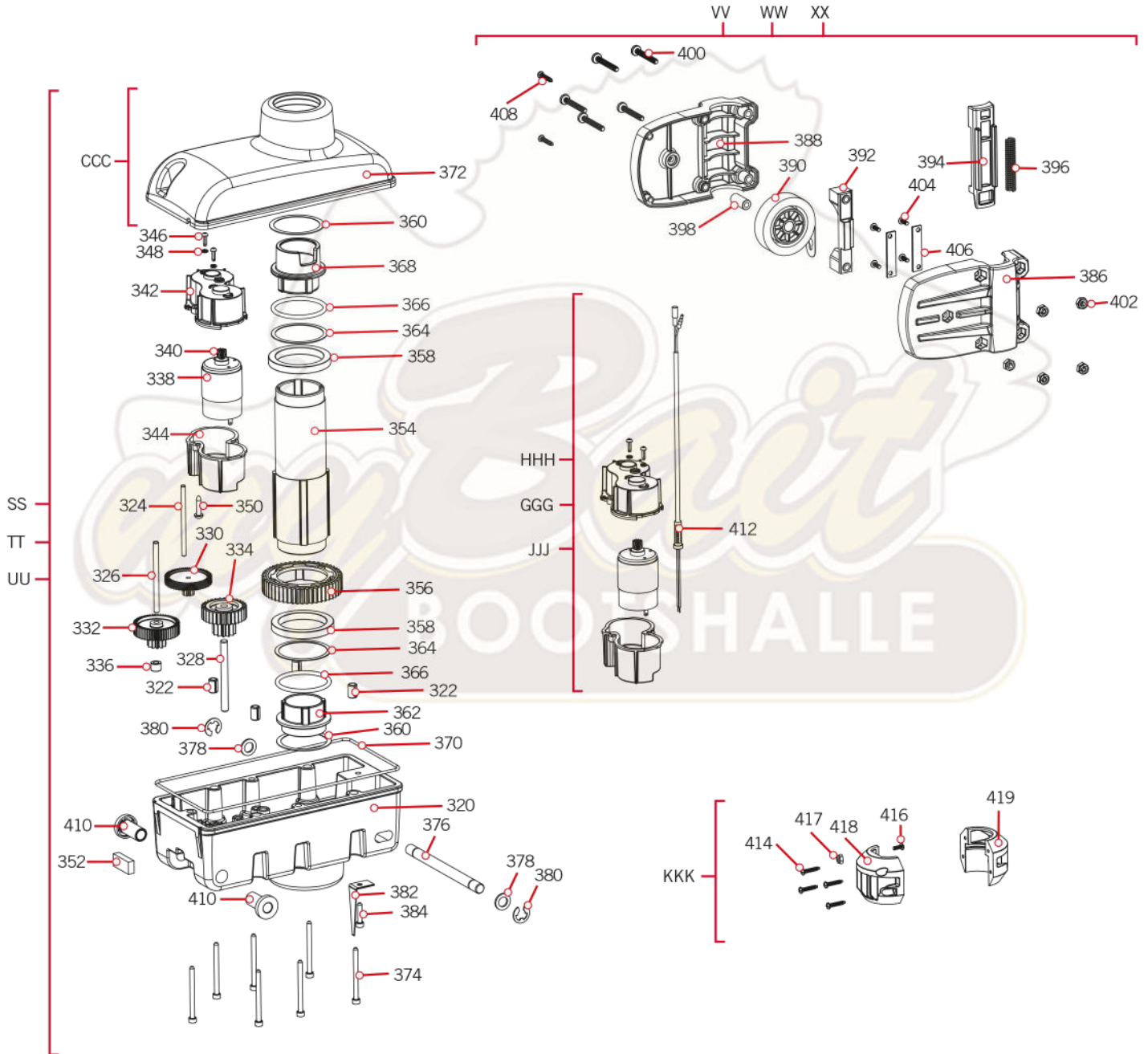
● Only available with models factory installed with i-Pilot Link.

⊕ Only available with models factory installed with Universal Sonar.

➔ Only available with models factory installed with Built-in MEGA Down Imaging.

TERROVA STEERING HOUSING

Steering Housing Parts Diagram



Steering Housing Parts List

| Assembly | Part # | Description | Quantity |
|----------|---------|--------------------------------|----------|
| SS | 2997060 | STEERING HSG ASM 12V FW | 1 |
| TT | 2997061 | STEERING HSG ASM 24V FW | 1 |
| UU | 2997062 | STEERING HSG ASM 36V FW | 1 |
| VV | 2992720 | LIFT ASSIST, 55# FW | 1 |
| WW | 2992721 | LIFT ASSIST, 80# FW | 1 |
| XX | 2992722 | LIFT ASSIST, 112# FW | 1 |
| CCC | 2776561 | STEERING HSG TOP FW/GEAR KIT | 1 |
| GGG | 2777060 | STEERING MOTOR KIT, 12V T2 | 1 |
| HHH | 2777061 | STEERING MOTOR KIT, 24V T2 | 1 |
| JJJ | 2777062 | STEERING MOTOR KIT, 36V FW T2 | 1 |
| KKK | 2771522 | COLLAR-FRONT/BACK, LIFT KT | 1 |
| Item | Part # | Description | Quantity |
| 320 | 2326566 | HOUSING-STEERING, BTM, FW | 1 |
| 322 | ✘ | PIN-ROLL 5/16" X 1/2" | 4 |
| 324 | ✘ | SHAFT-GEAR, FIRST CLUSTER | 1 |
| 326 | ✘ | SHAFT-GEAR,INTERMED.CLUSTER | 1 |
| 328 | ✘ | SHAFT-GEAR, THIRD CLUSTER | 1 |
| 330 | 2322210 | GEAR & PINION, DR.HSG, STAGE 2 | 1 |
| 332 | 2302250 | GEAR & PINION,DR. HSG, STAGE 3 | 1 |
| 334 | 2302255 | GEAR & PINION,DR. HSG, STAGE 4 | 1 |
| 336 | 2321730 | SPACER,GEAR CLUSTER | 1 |
| 338 | ✘ | MOTOR, STEERING 12V FW T2 | 1 |
| | ✘ | MOTOR, STEERING 24V FW T2 | 1 |
| | ✘ | MOTOR, STEERING 36V FW T2 | 1 |
| 340 | 2322215 | GEAR-PINION, DR.HSG, STAGE 1 | 1 |
| 342 | 2322520 | CASE-MOTOR,STRG HSG,TOP | 1 |
| 344 | 2322525 | CASE-MOTOR,STRG HSG,BTM | 1 |
| 346 | 2053422 | SCREW-X6 X /375 PLASTITE SS | 2 |
| 348 | 2051710 | SPLIT LOCK WASHER 3MM | 2 |
| 350 | 2043412 | SCREW-#8-18 X 3/4 TY AB SS PPH | 1 |
| 352 | 2308601 | BREATHER FILTER, DR.HOUSING | 1 |
| 354 | 2322030 | TUBE-OUTPUT, MACHINED | 1 |
| 356 | 2322200 | GEAR-OUTPUT | 1 |
| 358 | 2327308 | BEARING-BALL,SEALED | 2 |
| 360 | 2321704 | WASHER-THRUST, STEERING | 2 |
| 362 | 2321510 | COLLAR-DRIVE,BOTTOM | 1 |

▲ Not shown on Parts Diagram.

✘ This part is included in an assembly and cannot be ordered individually.

◆ Only available with models factory installed with i-Pilot.

● Only available with models factory installed with i-Pilot Link.

⊕ Only available with models factory installed with Universal Sonar.

➔ Only available with models factory installed with Built-in MEGA Down Imaging.

PARTS DIAGRAM & PARTS LIST



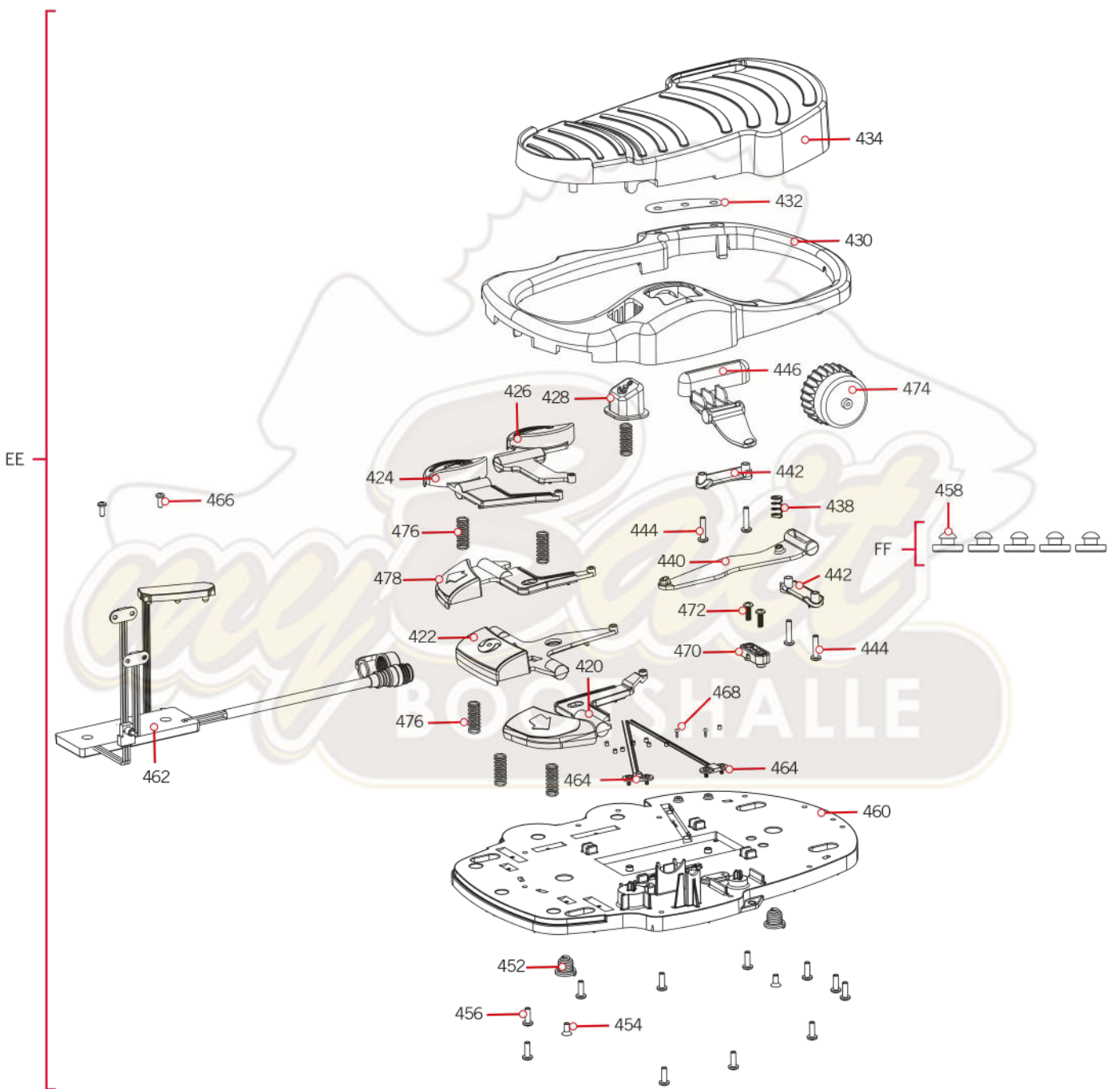
| Item | Part # | Description | Quantity |
|------|---------|--------------------------------|----------|
| 364 | 2321720 | SHIM,O-RING | 2 |
| 366 | 2324608 | O-RING,224, STR HSG | 2 |
| 368 | 2321530 | LINER OUTPUT TUBE,LFT AST | 1 |
| 370 | 2324604 | O-RING, CASE SEAL | 1 |
| 372 | ✘ | HOUSING-STEERING, TOP, FW | 1 |
| 374 | 2323408 | SCREW-#8-32 X 2.0 SHCS SS | 7 |
| 376 | 2322600 | PIN-LATCH, ZP | 1 |
| 378 | 2321702 | WASHER-FLAT .375 NYLON | 2 |
| 380 | 2263011 | E-RING 3/8 DIA. SHAFT* | 2 |
| 382 | 2322702 | SPRING, LATCH PIN SS | 2 |
| 384 | 2323410 | SCREW-#8-32 X .75 SHCS SS | 1 |
| 386 | 2326545 | HOUSING-RIGHT,LIFT ASSIST | 1 |
| 388 | 2326540 | HOUSING-LEFT, LIFT ASSIST | 1 |
| 390 | 2997900 | ASM-HUB/SPRING, 55# SS | 1 |
| | 2997901 | ASM-HUB/SPRING, 80# SS | 1 |
| | 2997902 | ASM-HUB/SPRING, 112# SS | 1 |
| 392 | 2322300 | GUIDE,DR.DOG, LIFT ASSIST | 1 |
| 394 | 2328605 | ENGAGEMENT DOG, LIFT ASST | 1 |
| 396 | 2322726 | SPRING,COMPRESSION,.360" OD SS | 1 |
| 398 | 2322610 | PIN-AXLE, LIFT ASSIST | 1 |
| 400 | 2323430 | SCREW-#10-24 X 1-3/8, PPH | 5 |
| 402 | 2333101 | NUT-HEX #10-24 UNC-2B NYL SS | 5 |
| 404 | 2372103 | SCREW-#6 X .375 PLASTITE SS | 4 |
| 406 | 2321955 | BRACKET, LIFT ASSIST | 2 |
| 408 | 3393450 | SCREW-#6-19 X .75 PPH HI-LO | 2 |
| 410 | 2327310 | BUSHING, PIVOT PIN | 2 |
| 412 | ✘ | LEADWIRE, STEERING MOTOR | 1 |
| 414 | 3393450 | SCREW-#6-19 X.75 PPH HI-LOW SS | 4 |
| 416 | 2323429 | SCREW #6-32 X .50" SS BHCS | 1 |
| 417 | 2323110 | NUT-HEX, 6-32 NYLOK SS | 1 |
| 418 | 2321523 | COLLAR-FRONT, LIFT ASSIST, FW | 1 |
| 419 | 2321527 | COLLAR-BACK, LIFT ASSIST, FW | 1 |

▲ Not shown on Parts Diagram.
 ✘ This part is included in an assembly and cannot be ordered individually.
 ◆ Only available with models factory installed with i-Pilot.
 ● Only available with models factory installed with i-Pilot Link.
 + Only available with models factory installed with Universal Sonar.
 ➔ Only available with models factory installed with Built-in MEGA Down Imaging.



TERROVA FOOT PEDAL

Foot Pedal Parts Diagram



Foot Pedal Parts List

| Assembly | Part # | Description | Quantity |
|----------|---------|---|----------|
| EE | 2994722 | FOOT PEDAL ASM, TRV BT | 1 |
| FF | 2994859 | BAG ASY-TERROVA/V2,RUB.BUMPERS | 1 |
| Item | Part # | Description | Quantity |
| 420 | 2323731 | BUTTON, RIGHT STEER, TERROVA | 1 |
| 422 | 2323735 | BUTTON, MOMENTARY, TERROVA | 1 |
| 424 | 2323715 | BUTTON,MOM/CON,FT PEDAL | 1 |
| 426 | 2323725 | BUTTON,AP,FT PEDAL | 1 |
| 428 | 2203720 | BUTTON, SPOT LOCK,ULTERRA/TRRV | 1 |
| 430 | 2320206 | COVER,HEEL TOE FT PED,TRV | 1 |
| 432 | 2325655 | DECAL, 3 INDICATORS, TERROVA | 1 |
| 434 | 2324401 | PEDAL,HEEL/TOE FOOT PEDAL | 1 |
| 438 | 2322714 | SPRING SS | 1 |
| 440 | 2328600 | FLEX FINGER, FOOT PEDAL | 1 |
| 442 | 2321300 | CLAMP, FT PEDAL | 2 |
| 444 | 2223430 | SCREW-#8x3/4 PPH,TYPE 25,SS | 4 |
| 446 | 2323710 | BUTTON,MOM,FT PEDAL | 1 |
| 452 | 2322706 | SPRING-BARREL SS | 2 |
| 454 | 2323420 | SCREW-#8-18 X 3/8" PFH SS TY B | 2 |
| 456 | 2301310 | SCREW-#8-18 X 1/2 (SS)* | 11 |
| 458 | 2325110 | PAD, FOOT PEDAL | 5 |
| 460 | 2204500 | BASE PLATE-ULTERRA / TERROVA | 1 |
| 462 | ✘ | CONTROL BOARD ASSY, FOOT PEDAL, TERROVA | 1 |
| 464 | 2373440 | SCREW-#4-24 X 1/4 PHCR SS TY B | 4 |
| 466 | 2332103 | SCREW-#6-20 X 3/8 THD*(SS) | 2 |
| 468 | 2302100 | SCREW-#6-20 X 1/2 THD CUTS | 2 |
| 470 | 2322900 | STRAIN RELIEF, FOOT PEDAL | 1 |
| 472 | 2372100 | SCREW-#8-18 X 5/8 THD* (SS) | 2 |
| 474 | 2320100 | KNOB-SPEED, FOOT PEDAL | 1 |
| 476 | 2322704 | SPRING, LARGE SHORT SS | 6 |
| 478 | 2323730 | BUTTON, LEFT STEER, TERROVA | 1 |

▲ Not shown on Parts Diagram.

✘ This part is included in an assembly and cannot be ordered individually.

◆ Only available with models factory installed with i-Pilot.

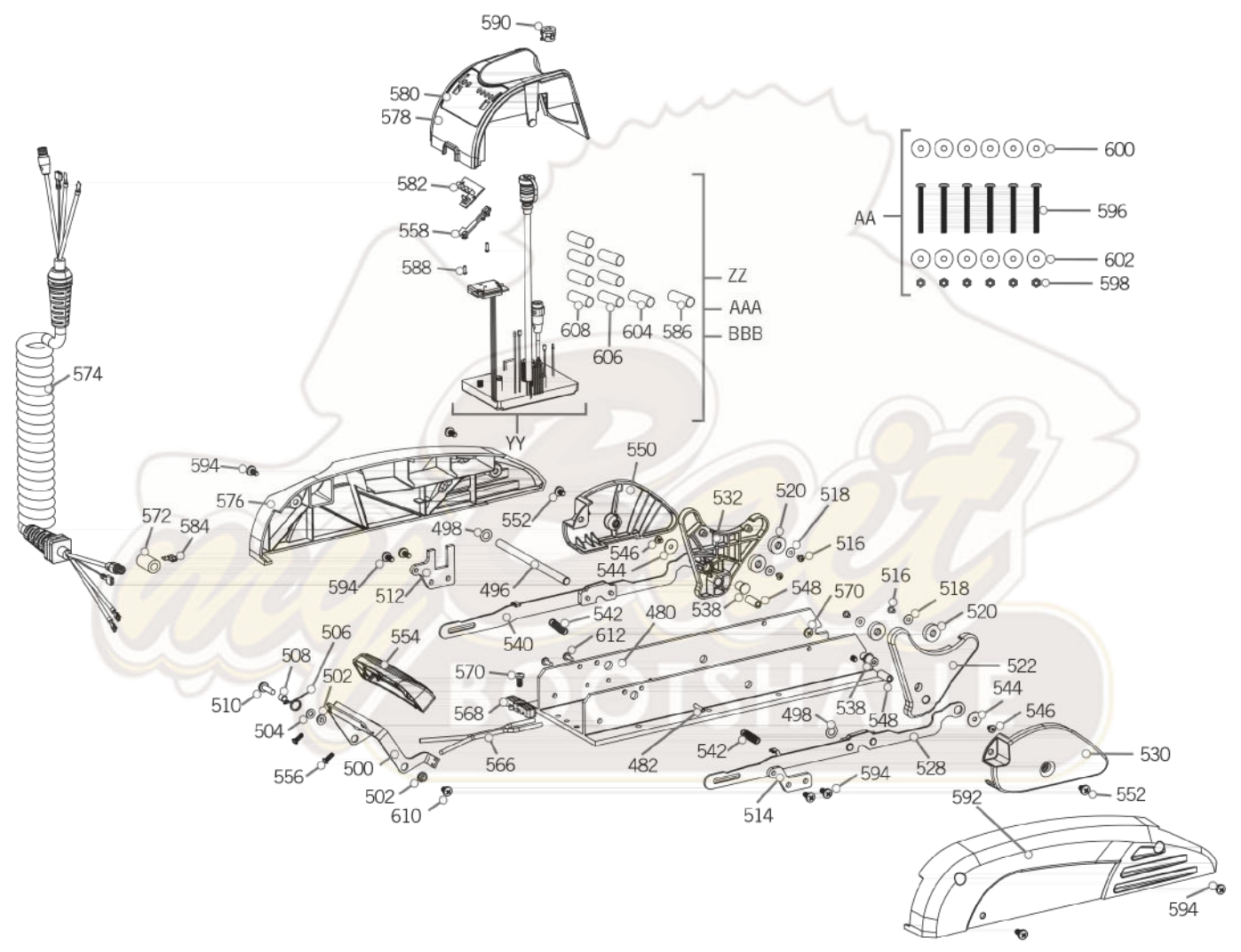
● Only available with models factory installed with i-Pilot Link.

⊕ Only available with models factory installed with Universal Sonar.

➔ Only available with models factory installed with Built-in MEGA Down Imaging.

TERROVA MOUNT

Mount Parts Diagram



Mount Parts List

| Assembly | Part # | Description | Quantity |
|----------|---------|---|----------|
| YY | 2774065 | CONTROL BRD, 12V TERROVA BT *NO SHRINKS* | 1 |
| ZZ | 2774066 | CTRL BRD, 24/36V TRV BT w/SHRNK *SHRINK TUBES* | 1 |
| AAA | 2774067 | CTRL BRD, 12V IP TRV BT w/SHRNK *SHRINK TUBES* *i-PILOT/i-PILOT LINK* | 1 |
| BBB | 2774069 | CTRL BRD, 24/36V IP TRV BT, SHRNK *SHRINK TUBES* *i-PILOT/i-PILOT LINK* | 1 |
| AA | 2994864 | BAG ASSY-TERROVA/V2,MNTG HDW | 1 |
| Item | Part # | Description | Quantity |
| 480 | 2321907 | BASE, EXTRUSION, MACHINED | 1 |
| 482 | 2322912 | PIN-ROLL .1875 X 1.000 SS | 2 |
| ▲ | 2325502 | DECAL, STOW / DEPLOY, T2 | 1 |
| 496 | 2322602 | PIN-PIVOT, ZP | 1 |
| 498 | 2013100 | NUT-SPEED | 2 |
| 500 | 2320405 | HANDLE, RELEASE, FW | 1 |
| 502 | 2322604 | BUSHING,HANDLE,GOBEIL | 2 |
| 504 | 2071716 | WASHER-FLAT SS .253 x .470 | 1 |
| 506 | 2322701 | SPRING, TORSION | 1 |
| 508 | 2301700 | SPACER-RELEASE LEVER-BRASS | 1 |
| 510 | 2073408 | SCREW-1/4-20 X 7/8 PPH S/S | 1 |
| 512 | 2321940 | BRACKET, STRAIN RELIEF FW | 1 |
| 514 | 2321950 | BRACKET, SIDEPLATE FW | 1 |
| 516 | 2323412 | SCREW-#8-18 X .25 PPH SS TY B | 4 |
| 518 | 2321706 | WASHER-FLAT #8 .50 OD/.188 SS | 4 |
| 520 | 2325115 | PAD, RUBBER REST, BLACK | 4 |
| 522 | 2323910 | RAMP-MOTOR, RIGHT 3-5/8" | 1 |
| | 2323931 | RAMP-MOTOR, RIGHT 4.5" | 1 |
| | 2323930 | RAMP-MOTOR, RIGHT 4" | 1 |
| 528 | 2994204 | ARM/SUPPORT BLOCK ASSY,R,FW | 1 |
| 530 | 2321920 | PLATE-SKID, RIGHT FW *4.0* *3.625* *55LB THRUST* * 80LB THRUST* | 1 |
| | 2321922 | PLATE-SKID, RIGHT FW *4.5* *112LB THRUST* | 1 |
| 532 | 2323915 | RAMP-MOTOR, LEFT 3 5/8" | 1 |
| | 2323935 | RAMP-MOTOR, LEFT 4" | 1 |
| | 2323936 | RAMP-MOTOR, LEFT 4.5" | 1 |
| 538 | 2324705 | INSERT-MOTOR RAMP,METAL,ZP | 2 |
| 540 | 2994202 | ARM/SUPPORT BLOCK ASSY,L,FW | 1 |
| 542 | 2322716 | SPRING, EXTENSION, T2 | 2 |
| 544 | 2321700 | WASHER #10 SS | 2 |
| 546 | 2323422 | SCREW-#10-24 X .25" PPH SS MCH | 2 |

▲ Not shown on Parts Diagram.

* This part is included in an assembly and cannot be ordered individually.

◆ Only available with models factory installed with i-Pilot.

● Only available with models factory installed with i-Pilot Link.

⊕ Only available with models factory installed with Universal Sonar.

➔ Only available with models factory installed with Built-in MEGA Down Imaging.

PARTS DIAGRAM & PARTS LIST

| Item | Part # | Description | Quantity |
|------|---------|--|----------|
| 548 | 2322920 | STAND-OFF, ALUMINUM PLAIN | 2 |
| 550 | 2321925 | PLATE-SKID, LEFT FW *4.0* *3.625* *55LB THRUST* * 80LB THRUST* | 1 |
| | 2331927 | PLATE-SKID, LEFT FW *4.5* *112LB THRUST* | 1 |
| 552 | 2323403 | SCREW-1/4-20 X.375 MCH SS CRPH | 2 |
| 554 | 2320217 | COVER, HANDLE COSMETIC FW | 1 |
| 556 | 2383446 | SCREW-#8-16 X .50" PLASTITE SS | 2 |
| 558 | 2320830 | LOCKING TAB,PWR/BAT.METER | 1 |
| ▲ | 2383428 | SCREW-#4-24 X 3/8 HI-LO SS | 2 |
| ▲ | 2320203 | CAP-DUST,CONNECTOR,FEMALE | 1 |
| ▲ | 2323406 | SCREW-#10-24 X .50 CRPH SS | 2 |
| 566 | 2090651 | LEADWIRE,10 GA | 1 |
| 568 | 2321310 | STRAIN RELIEF | 1 |
| 570 | 2323405 | SCREW-1/4-20 X 1/2" MCH SS | 3 |
| 572 | 2307313 | BEAD-FERRITE | 1 |
| 574 | 2991272 | COIL CORD ASY 54"/60" U.SONAR | 1 |
| | 2991276 | COIL CORD ASSY 472" U.SONAR | 1 |
| | 2991274 | COIL CORD ASSY 45"/48" U.SONAR | 1 |
| | 2991271 | COIL CORD ASY 54"/60" NON-US2 | 1 |
| 576 | 2323927 | SIDEPLATE-LEFT, TERROVA | 1 |
| 578 | 2326530 | HOUSING-CENTER, TERROVA | 1 |
| 580 | 2325657 | DECAL, B. MTR/CON/PWR/STATUS FW | 1 |
| 582 | 2074072 | BATTERY METER, 36V, FW | 1 |
| | 2074071 | BATTERY METER, 24V, FW | 1 |
| | 2074070 | BATTERY METER, 12V, FW | 1 |
| 584 | 2320710 | TERMINAL-AMP (T-TAB) | 1 |
| 586 | 2325401 | SHRINK TUBE-3/4 ID X 2" W/ADHS | 1 |
| ▲ | 2321315 | HOLDER-CONNECTOR,NYLON,BLACK | 1 |
| 588 | 2332103 | SCREW-#6-20 X 3/8 THD*(SS) | 2 |
| 590 | 2322901 | STRAIN RELIEF, HEYCO P/N 1852 | 1 |
| 592 | 2323922 | SIDEPLATE-RIGHT, TERROVA | 1 |
| 594 | 2323404 | SCREW-1/4-20 X 1/2" T-L ZP | 8 |
| 596 | 2263462 | SCREW-1/4-20 X 2" S/S PPH ADJT | 6 |
| 598 | 2263103 | NUT-1/4-20 NYLOCK SS | 6 |
| 600 | 2301720 | WASHER-MOUNTING - RUBBER | 6 |
| 602 | 2261713 | WASHER-1/4 FLAT 18-8 SS | 6 |
| 604 | 2305415 | SHRINK TUBE-.472 ID X 2.25" | 1 |
| 606 | 2305410 | SHRINK TUBE-.315 OD X 2.25" | 3 |

▲ Not shown on Parts Diagram.

* This part is included in an assembly and cannot be ordered individually.

◆ Only available with models factory installed with i-Pilot.

● Only available with models factory installed with i-Pilot Link.

⊕ Only available with models factory installed with Universal Sonar.

➔ Only available with models factory installed with Built-in MEGA Down Imaging.



| Item | Part # | Description | Quantity |
|------|-----------|------------------------------------|----------|
| 608 | 2305401 | SHRINK TUBE-.374 ID X `1.5" | 4 |
| 610 | 2332104 | SCREW-1/4-20 X 5/8 S/S | 1 |
| 612 | 2323402 | SCREW-1/4-20 X .375 T-L, ZP | 2 |
| ▲ | 2327130 | MANUAL, TERROVA BT*ONLINE ONLY* | 1 |
| ▲ | 2327132 | MANUAL, INSTALL GUIDE, TRRV BT | 1 |
| ▲ | 2397100 ◆ | MANUAL, IPILOT 1.6 *ONLINE ONLY* | 1 |
| ▲ | 2397102 ● | MANUAL, IPILOT 3.0 *ONLINE ONLY* | 1 |
| ▲ | 2297165 | MANUAL - DISCLAIMER. DOWNLOAD INFO | 1 |



▲ Not shown on Parts Diagram.
 ✖ This part is included in an assembly and cannot be ordered individually.
 ◆ Only available with models factory installed with i-Pilot.
 ● Only available with models factory installed with i-Pilot Link.
 + Only available with models factory installed with Universal Sonar.
 ➔ Only available with models factory installed with Built-in MEGA Down Imaging.

